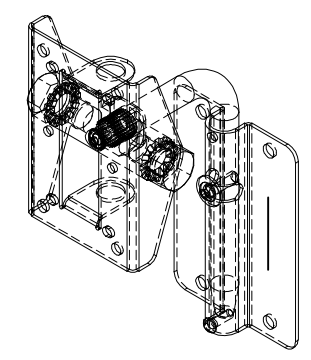
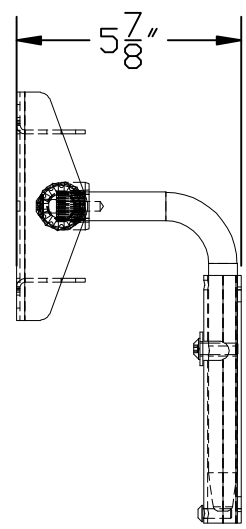
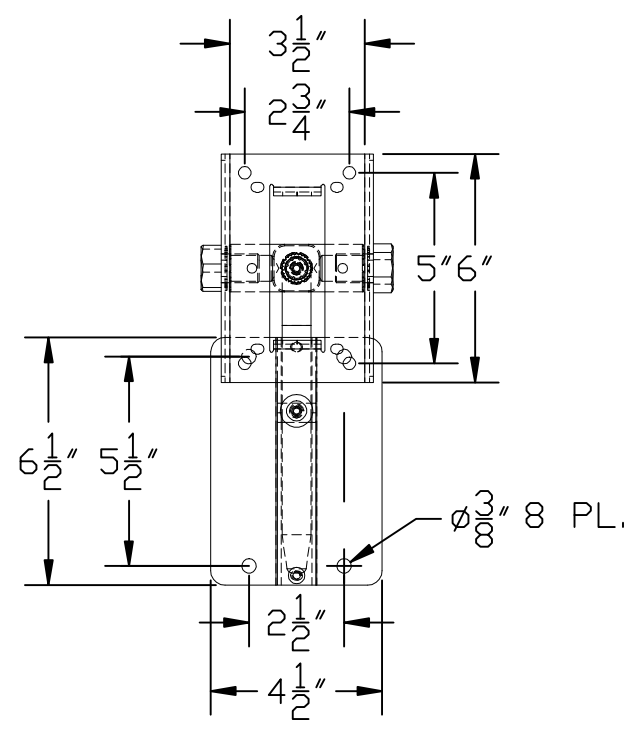
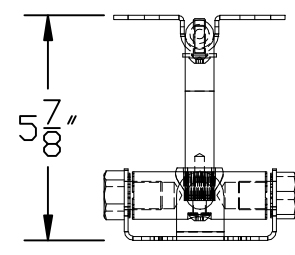


8 7 6 5 4 3 2 1

D  
C  
B  
A



Notes:  
Unless Otherwise Specified


- 1. MATERIALS:
- 2. PROCESS:
- 3. FINISH:
- 4. DEBURR ALL SHARP CORNERS AND EDGES
- 5. WELD OPERATIONS:  
CLEAN WELD SPATTERS  
DO NOT GRIND BASE MATERIAL

REV #:	DESCRIPTION	DATE

PROPRIETARY AND CONFIDENTIAL  
THIS DRAWING IS THE PROPERTY OF ALLEN PRODUCTS CO. AND EMBODIES A PROPRIETY DESIGN ORIGINATED BY ALLEN PRODUCTS CO. ALL DESIGN, MANUFACTURE, REPRODUCTION, USE AND SALE RIGHTS REGARDING THE SAME ARE EXPRESSLY RESERVED. THIS DRAWING MAY NOT BE REPRODUCED OR INFORMATION HEREIN TRANSMITTED IN ANY WAY WITHOUT WRITTEN CONSENT FROM ALLEN PRODUCTS CO. ALL PATENT RIGHTS HERETO ARE EXPRESSLY RESERVED BY ALLEN PRODUCTS CO. SIGNAL HILL CALIFORNIA

UNLESS OTHERWISE SPECIFIED  
DIMENSIONS ARE IN INCHES  
TOLERANCES:  
FRACTIONAL ± 1/64  
ANGULAR: MACH ± .5°  
TWO PLACE DECIMAL ±.03  
THREE PLACE DECIMAL ±.01  
INTERPRET GEOMETRIC TOLERANCING PER:  
MATERIAL  
FINISH  
DO NOT SCALE DRAWING

NAME	DATE
DRAWN	
CHECKED	
ENG APPR.	
MFG APPR.	
Q.A.	
COMMENTS:	

 Allen Products Company inc.  
1635 E. Burnett Street  
Signal Hill, CA 90755  
Tel: 562-424-1100 Fax: 562-424-3520

TITLE:  
MULTIMOUNT MM-022-RH,UNIV MT,WHT

NEXT ASSY:  
USED ON

SIZE B	DWG. NO. 622-W-MM-022-RHW	REV A
-----------	------------------------------	----------

SCALE: 1:5 WEIGHT: SHEET 1 OF 1

8 7 6 5 4 3 2 1