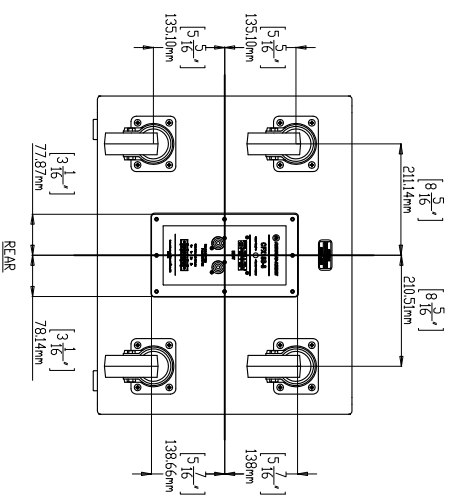
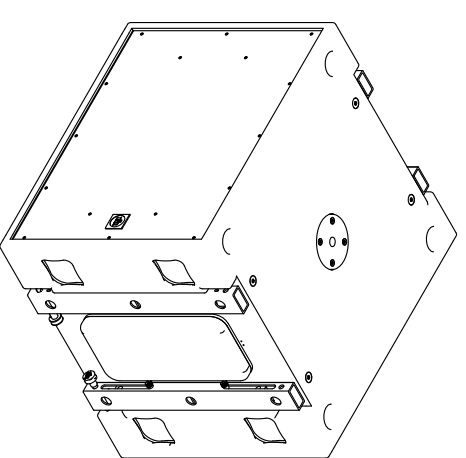
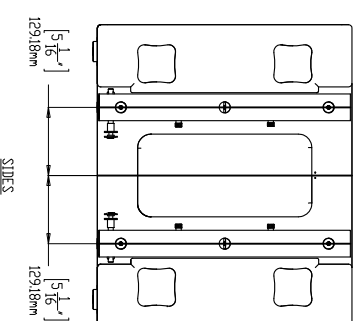


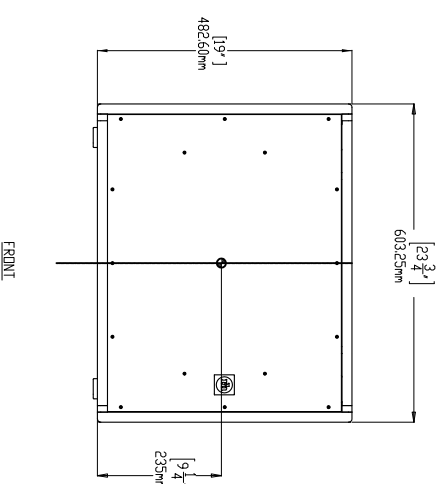
BOTTOM



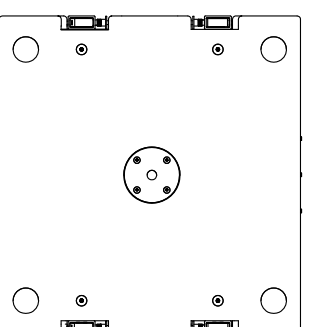
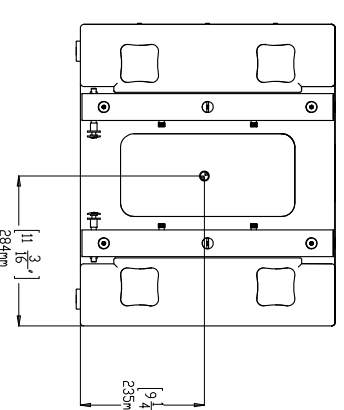
REAR



SIDES



FRONT



TOP

PART NUMBER LIST

REV	DESCRIPTION	DATE	BY

UNLESS OTHERWISE SPECIFIED DIMENSIONS ARE IN INCHES TOLERANCES ARE: DECIMALS XXX +/- .01" XXX +/- .005"		INTL	DATE	<p>RENKUS-HEINZ, inc.</p>
DRAWN	D.P.	06/06/2011		
CHECK				
DESIGN				
APPROV	REF -DWG			TITLE: REFERENCE DWG, CFX155, CFX155-8, CFX155, CF155-5, CF155-SR
APPROV	REF -CFX155.DWG			SIZE CODE IDENT
REF -DWG				DWG NO.
REF -CFX155.DWG				REF -CFX155
DO NOT SCALE DRAWING				SCALE: 1 = 1
USED ON				WEIGHT: 92.0 Lbs.
APPLICATION				SHEET 1 OF 1

Notes:

- 1) WEIGHT 92.0 Lbs.
- 2) CENTER OF GRAVITY (CG)
- 3) Attachment point locations are approximate. Design attachment plates with slotted holes for adjustability.

WARNING! Hanging loudspeakers is a serious undertaking that should be done only by qualified and experienced personnel. Check with an architect or structural engineer to verify any building attachment points. Renkus-Heinz is not responsible for any non-Renkus-Heinz products or for any misuse of Renkus-Heinz products.

THE MATERIAL CONTAINED HEREIN IS PROPRIETARY TO RENKUS-HEINZ AND SHALL NOT BE REPRODUCED, DISCLOSED OR USED FOR ANY OTHER PURPOSE WITHOUT THE WRITTEN APPROVAL OF RENKUS-HEINZ.