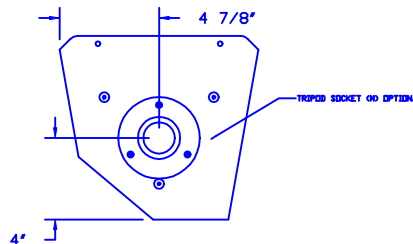
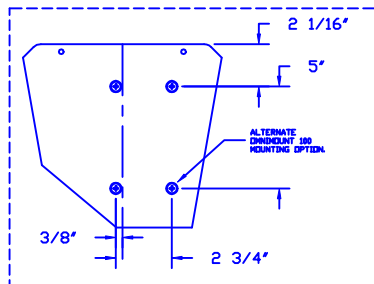
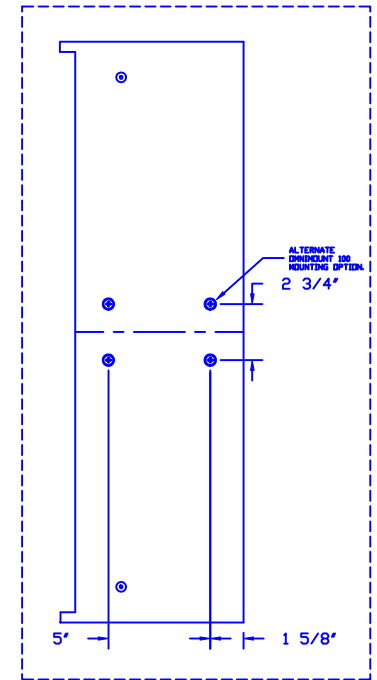
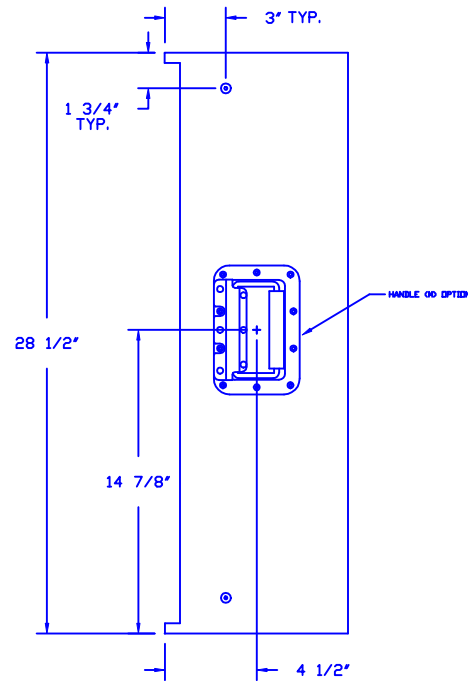
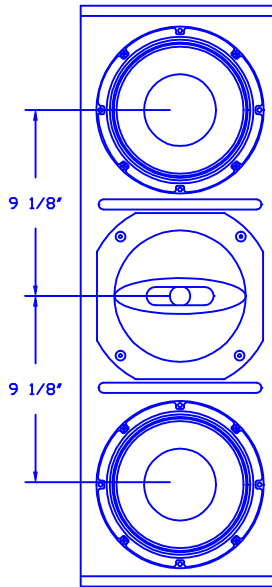
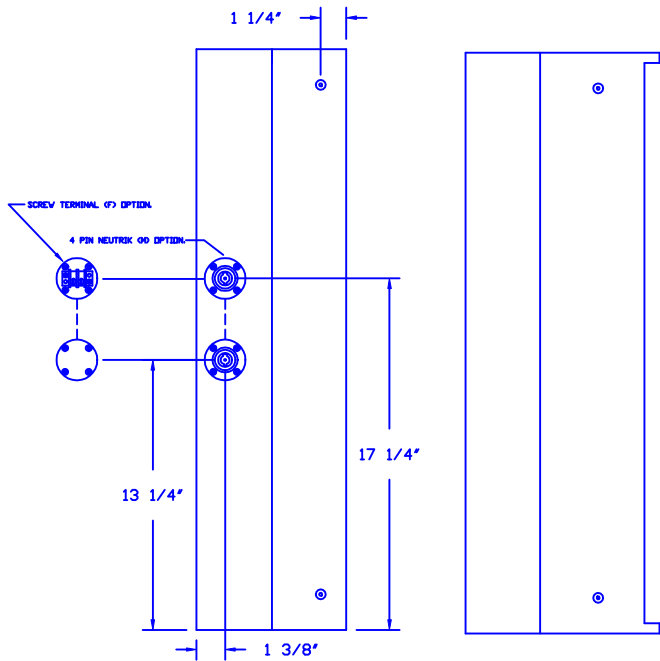
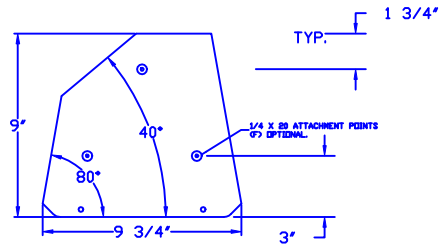


NOTES

1. Outside dimensions are for painted cabinets. Add approximately 0.25 inch for carpeted cabinets.
2. Attachment point locations are approximate. Design attachment plates with slotted holes for adjustability.



PART NUMBER LIST

REV	DESCRIPTION	DATE	BY
A	RELEASED ECO 88286	5/22/97	GL
B	ADDED DIMENSIONAL OPTION ECO 88286	1/26/98	P.R.

UNLESS OTHERWISE SPECIFIED	INTL.	DATE	RENKUS-HEINZ, Inc.	
DIMENSIONS ARE IN INCHES	DRAWN P.R.	5/22/97	TITLE: TRC82/9 & TR82/12	
TOLERANCES AND ANGLES	CHECK GL.	5/22/97		
DECIMALS	VISION		REF. DWG. D00507-B.DWG.	
XXX 1/8"	ENG.		SIZE CODE TIGHT DWG. NO. 600-SPKRASMTRC82	
	APPROV.		SCALE 1 = 3/16" WEIGHT	
	APPV.		NEXT ASSY. USED IN APPLICATION	

THE MATERIAL CONTAINED HEREIN IS PROPRIETARY TO RENKUS-HEINZ AND SHALL NOT BE REPRODUCED, DISCLOSED OR USED FOR ANY OTHER PURPOSE WITHOUT THE WRITTEN APPROVAL OF RENKUS-HEINZ.