



RENKUS-HEINZ



MICROTRAPK

Miniaturized Arrayable Loudspeaker



MINIATURIZED CONSTRUCTION

"full-size", full-range 80 Hz to 18 kHz performance in an extremely compact arrayable configuration

TRAP "TRUE ARRAY PRINCIPLE" DESIGN

assures coincident acoustic centers and minimal comb filtering in tight packed arrays

EXCLUSIVE COMPLEX CONIC WAVEGUIDE

Complex Conic waveguide provides superior pattern control with low distortion

1" EXTENDED RANGE TITANIUM HF DRIVER

provides smooth, low distortion high frequency performance out to 18 kHz

BUILT-IN CROSSOVER

eliminates the need for bi-amplification, thereby reducing system cost

CUSTOM FLEXIBILITY AND VERSATILITY

choice of numerous options offer unprecedented versatility.

Outstanding Performance

MICROTRAPK loudspeakers offer outstanding full range, 80 Hz to 18 kHz performance in a compact cabinet that was designed for use in close packed arrays. They feature the revolutionary Complex Conic horn recently developed by Renkus-Heinz, a 1" HF driver and a heavy-duty 200-Watt 6.5" woofer. They easily handle 200 Watts of power and deliver a clean, undistorted 115 dB output SPL level. MICROTRAPKs are packaged in 60° TRAP "TRue Array Principle" enclosures that assure even array coverage when the cabinets are close coupled along their 30° trapezoidal sides.

Exclusive Complex Conic Design

Complex Conic horn technology combines the best features of constant beamwidth (also called constant directivity) and oval horn designs into a complex conical waveguide that provides superior pattern control, especially at the higher frequencies. The Complex Conic Waveguide completely eliminates pattern flip, a phenomenon of constant beamwidth horns that reverses the dispersion characteristics at lower frequencies. The waveguides smooth profiles also reduce high frequency "feathering" and the accompanying distortion. The result is lower distortion with reduced high frequency coloration and a far more natural sound than that provided by any prior horn technology.

TRAP "TRue Array Principle" Design

The TRAP "TRue Array Principle" design of the MICROTRAPK places the acoustic centers of tight packed cabinets in almost perfect alignment. This allows the spherical wavefronts to combine in a coherent manner and drastically reduces comb filtering while assuring consistent frequency response within the cluster's coverage area. Their 60° trapezoidal design (30° sides) and broadband 60° horizontal coverage turn these loudspeakers into true 60° array modules. In an array, each module combines smoothly with the adjacent module to add 60° to the horizontal coverage. Three tight packed MICROTRAPKs provide the 180° horizontal coverage so often needed in wide, shallow rooms with virtually no comb filtering.

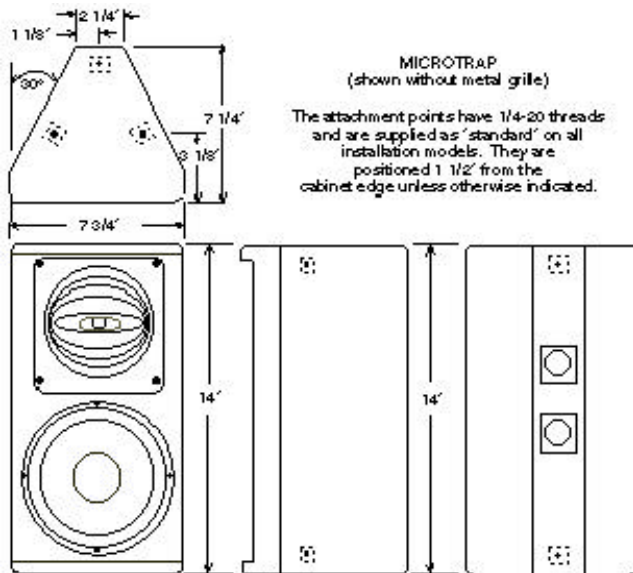
Custom Flexibility

MICROTRAPK loudspeakers are available for either portable use or for permanent installations. Portable models are normally provided with Neutrik connectors. Fixed installation models are usually supplied with screw terminals and universal mounting hardware in place of the handles and connectors. The universal mounting hardware system provides twelve 1/4-20 attachment points. The standard finish is black paint. Optional finishes include white paint and "natural" (unfinished) to allow customizing in the field. Weather resistant models are also available.

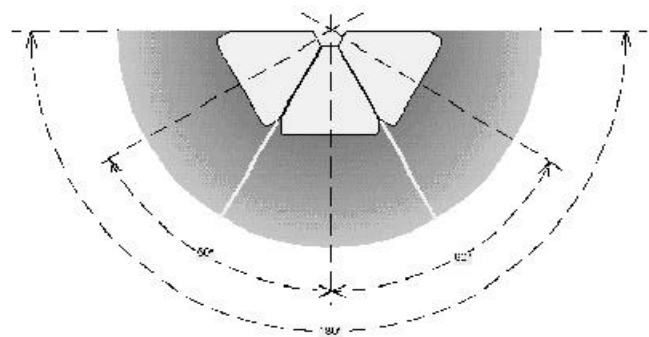
MICROTRAPK TECHNICAL SPECIFICATIONS

<p>SENSITIVITY: 92 dB (1w/1m)</p> <p>MAXIMUM SPL: 115 dB program, 118 dB peak</p> <p>DISPERSION: 60° H by 150° V</p> <p>FREQUENCY RESPONSE: 80 Hz to 18,000 Hz</p> <p>HIGH FREQUENCY DRIVER: SSD102-8 1" HF driver. 15 W RMS at 8 Ohms, 30 W program power</p> <p>LOW FREQUENCY DRIVER: SSL6.5-4 6.5" woofer, 1" VC, treated fiber cone; 100 W RMS at 8 Ohms, 200 W program power</p> <p>CROSSOVER POINT: 2800 Hz</p> <p>CONNECTOR OPTIONS : 4-pin Neutrik, screw terminals</p>	<p>ENCLOSURE 9 ply hardwood, heavily braced</p> <p>GRILLE: Perforated metal grille with moisture resistant foam insert</p> <p>FINISH OPTIONS: Black, white or custom color paint, black carpet, natural, weather resistant</p> <p>HARDWARE OPTIONS: 1/4-20 12-point universal mounting hardware</p> <p>DIMENSIONS: 14 " H x 7 3/4" W x 7 1/4" D (35.6 cm x 19.7 cm x 18.4 cm)</p> <p>NET WEIGHT: 11 Lbs. (5 Kg)</p> <p>ASSOCIATED EQUIPMENT: BPS Series Subwoofers</p>
---	---

DIMENSIONAL INFORMATION



ARRAY COVERAGE



MICROTRAPK Array Coverage

ARCHITECTS AND ENGINEERS SPECIFICATIONS

The loudspeaker shall be a Renkus-Heinz "MICROTRAPK" or approved equal 2-way loudspeaker utilizing Complex Conic horn technology. Loudspeakers having conventional constant beamwidth or oval horns will not be considered equal under these specifications.

The loudspeaker system shall consist of an extended-range 1" HF driver and a heavy-duty 6.5" woofer, all mounted in a 60° trapezoidal enclosure. The woofer shall have 1" voice coil and a treated fiber cone. Its power handling capacity shall be at least 200 Watts program.

The system shall include a built-in crossover having a 200 Watt at 8 Ohms power rating. It shall provide 60° horizontal by 150° vertical coverage.

Sensitivity shall be no less than 92 dB @ 1w,1m with a maximum program SPL of at least 115 dB and a frequency response of 80 Hz to 18 kHz.

The trapezoidal enclosure shall be constructed from 9 ply birch, heavily braced and lined with fiberglass to suppress resonances. It shall be no larger than 14" high and 7 3/4" wide, be no deeper than 7 1/4", and weigh no more than 11 Lbs. A matching perforated metal grille backed with protective foam shall be included.

The finish shall be (black carpet) (black paint) (white paint) (natural) (weather resistant). Connectors shall be (4-pin Neutrik) (screw type terminals). (The enclosure shall be equipped with universal mounting hardware offering twelve 1/4-20 attachment points).

