

Uncompromised Performance - Unequaled Versatility

The non-powered STX2 and STX2M Series loudspeakers unite advanced technology and application-driven engineering to bring live sound closer to the ultimate reference point: reality. Patented CoEntrant M/H transducers and unique innovations such as our Complex Conic horns combine to deliver natural sounding music and intelligible speech. Wherever audiences and operators demand superior performance and ease of use, STX2 and STX2M loudspeakers are an excellent choice for transparent, reference quality performance.

All STX and ST series loudspeakers are handcrafted especially for you in our Foothill Ranch, California facility. Numerous custom options are available.

Applications

- Virtually any application where directional control and arrayability are critical issues and outstanding sonic performance is required.
- Distributed systems in sports arenas and stadiums.
- Multi-channel A/V playback systems, live sound and music systems in clubs and disco's (with low frequency cabinets).
- Side fill in all types of large sound reinforcement systems.
- Array modules for theatrical and concert sound systems, sound reinforcement systems in Houses of Worship.



Advanced Complex Conic Horns

Designed around the spherical expansion of the acoustic pressure wave, Complex Conic horns provide constant beamwidth/directivity without the problems associated with conventional rectangular horns. These unique waveguides eliminate low frequency pat-

tern flip, an annoying characteristic of many horns. Their circular mouths have no corners to cause high frequency "feathering" and the resulting distortion. The results are audible: accurate pattern control, lower distortion and minimal coloration.

Patented CoEntrant Topology



The CoEntrant mid/high driver used in the STX2M integrates the acoustic output of an 8-inch mid-range cone and a 1-inch high frequency compression driver into a wideband, low-distortion, high-power true point source.

CoEntrant drivers loaded with Complex Conic horns offer numerous advantages over dual-horn and co-axial topologies, including smaller size, lower weight, inherent phase coherency and smoother frequency response.

ST / STX Series

STX2M

CoEntrant Mid/High Driver Complex Conic Horn



- **Compact Mid/High Loudspeaker Module**
500 Hz to 18 kHz high-level 131 dB peak SPL performance
- **Built-In Mid/High Crossover**
Eliminates the need for bi-amplification.
- **CDT-IL CoEntrant Mid/High Driver**
CoEntrant transducer with a 2-inch throat provides 500 Hz to 18 kHz performance, 130 dB Max SPL..
- **Exclusive Complex Conic Design**
Provides constant beamwidth/directivity without the problems of conventional rectangular horns.
- **Patented CoEntrant Topology**
Integrates the acoustic output of an 8" cone and a 1" HF driver into a wideband, high power true point source
- **TRAP (True Array Principle) Design**
STX2M loudspeakers can be easily turned into true 40° TRAP modules by rotating their horns 90 degrees. TRAP modules combine seamlessly to produce a phase aligned wave front virtually free of lobing.
- **Choice of Coverage Patterns**
Choose between tightly controlled 60° by 40° and 90° by 40° coverage patterns.

TECHNICAL INFORMATION

Sensitivity (1W/1m)

Mids: 101 dB

Highs: 109 dB

Maximum SPL

Mids: 129 dB peak

Highs: 131 dB peak

Dispersion

STX2M/64: 60° H by 40° V

STX2M/94: 90° H by 40° V

Freq. Resp: 500 Hz to 18 kHz

Mid/High Drivers: CDT-1L; SSD1802S 1" HF (40W RMS) & SSL8-9 8" MF (150W RMS)

Enclosure: Multi-ply hardwood, perforated metal grille

Crossover Points: 1500 Hz

Power: 150 Watts RMS @ 8 Ohms

Finish: Black, white or custom paint. TuffTex, Natural (unfinished), Weather Resistant

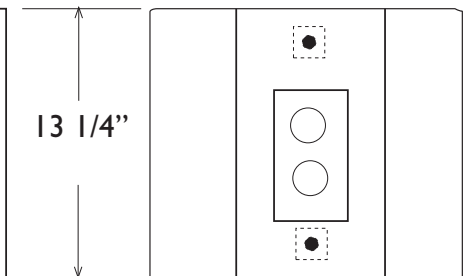
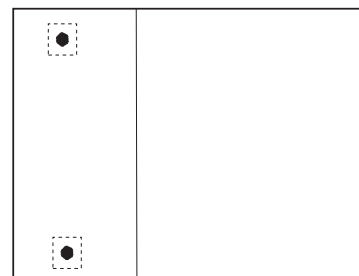
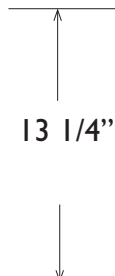
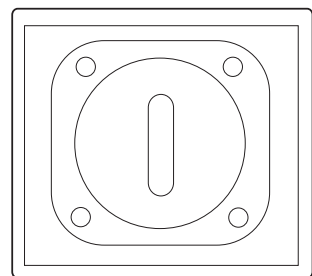
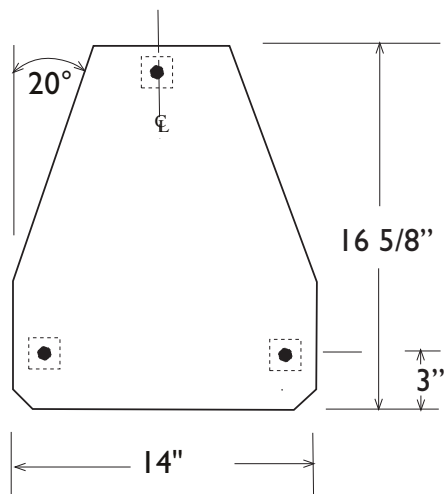
Connectors: Neutrik 4-pin or screw terminals

Hardware Options: 12-point universal mtg hardware, Handles, Omnimount Series 60 nut-plates, Tripod Socket, AeroQuip Fly-track

Dimensions 13 3/8" H x 14" W x 16 5/8" D
(34 cm x 35.6 cm x 42.2 cm)

Weight: 40 Lbs. (18.2 Kg) net

DIMENSIONAL INFORMATION



Note:

The UMH (Universal Mounting Hardware) attachment points have Metric M6 threads and are positioned 1 3/4" from the edges unless otherwise indicated.

Portable models are normally supplied with a tripod socket and handles, but no attachment points. Top and bottom mounted AeroQuip fly-track and an Omnimount nut plate are other options.

The enclosure is shown without its metal grille.

For more detailed dimensional information, please refer to the 2D and 3D drawing files on our website, www.renkus-heinz.com.