



RENKUS-HEINZ



TRAP-SVBK

TRAP SERIES Subwoofer / Low Frequency Module



High Power Bass Cabinet

The TRAP-SVBK bass cabinet was developed as a companion to other TRAP Series loudspeakers in applications that require additional low frequency energy. Its skillfully tuned and vented design allows the TRAP-SVBK to function effectively as either a subwoofer when sub-bass is needed or as a low frequency enclosure when used with mid/high frequency cabinets like the TRAP40MK. It offers unparalleled bass performance and efficiency from a compact 40° trapezoidal cabinet.

Each of the TRAP-SVBKs dual 15" woofers is mounted in its own separately tuned and vented chamber within the overall cabinet. This unique design allows the woofers operate together in conventional systems or operate independently in TRI-POLAR ARRAYS™. TRI-POLAR ARRAY construction is an exciting new technique that provides low frequency directional control. It uses TRAP-SVBK bass cabinets and an associated processor to achieve low frequency directional control.

Heavy Duty 15" Woofers

The heavy duty woofers used in the TRAP-SVBK feature 4" edge wound voice coils, rigid cones and massive magnetic structures in a long-throw design that assures linear movement even at high power levels. Each woofer easily handles 800 Watts of program power.

HIGH POWER BASS CABINETS

function as either a subwoofer or as low frequency enclosures in 2 box systems.

DUAL HIGH POWER 15" WOOFERS

easily handle 1600 watts of program power, deliver 136 dB peak SPL

UNIQUE DUAL-CHAMBER DESIGN

allows the use of multiple cabinets in TRI-POLAR ARRAY™ construction

40° TRAPEZOIDAL CABINET

matches other TRAP series enclosures in TRue Array Principle clusters

CHOICE OF RIGGING METHODS

choose between Aeroquip track fittings and 12-point universal mounting hardware.

CHOICE OF FINISHES

choose between durable black carpet, black or white paint or natural finishes

TRAP (TRue Array Principle) Design

The TRAP-SVBK, like other TRAP loudspeakers features a 40° trapezoidal cabinet. TRAP (TRue Array Principle) loudspeakers represent a major step forward in cluster design by assuring coincident acoustic centers for all cabinets in tight-packed arrays. The 40° trapezoidal design (20° sides) and the broadband 40° horizontal coverage of the TRAP loudspeakers allow them to be used as true 40° modules. In an array, each module combines smoothly with the adjacent module(s) and adds 40° to the horizontal coverage.

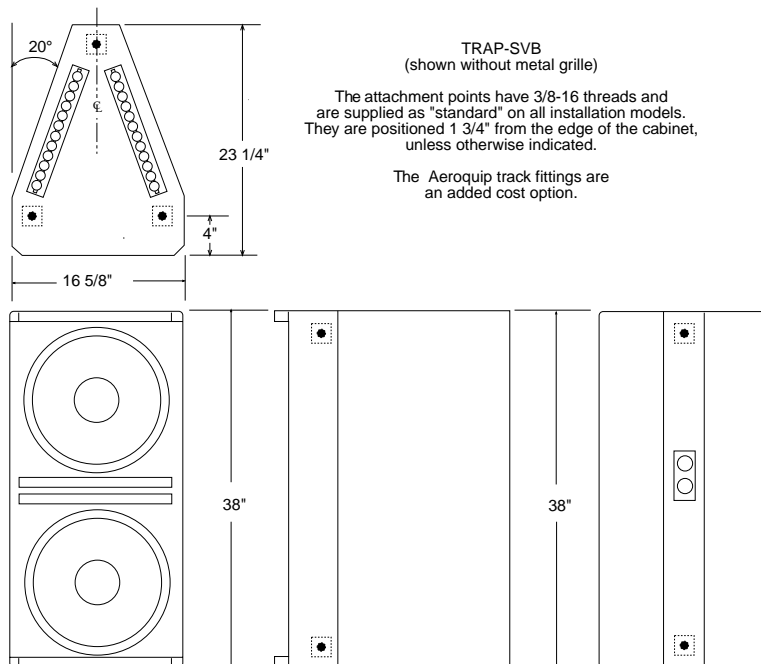
Custom Flexibility

The TRAP-SVBK is available for either portable use or for permanent installations. Portable models are normally carpeted in black and provided with handles and Neutrik connectors. Fixed installation models are usually painted black and supplied with screw terminals and universal mounting hardware in place of the handles and connectors. Top and bottom mounted Aeroquip track fittings are available as an added cost option. The universal mounting hardware provides 12 3/8-16 attachment points that allow the TRAP-SVBK to be easily flown in any plane. Optional finishes include white paint and "natural" (unfinished) to allow customizing. Weather resistant models are also available.

TRAP-SVB TECHNICAL SPECIFICATIONS

SENSITIVITY:	101 dB (1w/1m)	GRILLE:	Perforated metal grille with moisture resistant foam insert
MAXIMUM SPL:	133 dB program 136 dB peak	FINISH OPTIONS:	Black, white or custom color paint, black carpet, natural, weather resistant
FREQUENCY RESPONSE:	40 Hz to 500 Hz	HARDWARE OPTIONS:	3/8-16 12-point univ. mtg. hdw., Aeroquip track (top & bottom) handles
LOW FREQUENCY DRIVERS:	Two SSL15-6K, 15" cone drivers, 400 W RMS at 8 Ohms, 800 watts program	DIMENSIONS:	38 " H x 16 5/8" W x 23 1/4" D (96.5 cm x 42.5 cm x 59.1 cm)
POWER RATING:	1600 W program power into 4 Ohms, 800 W RMS	NET WEIGHT:	100 Lbs. (45.4 Kg)
CONNECTOR OPTIONS :	4-pin Neutrik, screw terminals	ASSOCIATED EQUIPMENT:	TRAP40K series TRAP40MK mid/high cabinets
ENCLOSURE:	13 ply hardwood, heavily braced		

DIMENSIONAL INFORMATION



ARCHITECTS AND ENGINEERS SPECIFICATIONS

The loudspeaker shall be a Renkus-Heinz Model TRAP-SVBK or approved equal dual 15" (low frequency enclosure) (subwoofer).

The 15" woofers shall have been designed specifically for use in high power low frequency enclosures. They shall have 4" edge wound voice coils with long excursion characteristics, rigid cast-alloy frames and stiff fiber cones.

Each woofers power handling capacity shall be no less than 400 Watts RMS @ 8 Ohms (800 Watts program); sensitivity shall be no less than 101 dB @ 1w,1m. Maximum program SPL shall be at least 133 dB with a peak rating of 136 dB. Frequency response shall be 40 Hz to 500 Hz.

Each woofer shall be mounted in its own separately tuned and vented chamber. The complete enclosure shall be trapezoidal in shape and constructed from 13 ply birch, heavily braced and lined with fiberglass to suppress resonances. It shall be no larger than 38" high and 16 5/8" wide, and be no deeper than 23 1/4", and weigh no more than 100 Lbs.

A matching perforated metal grille backed with protective foam shall be included. The finish shall be (black carpet) (black paint) (white paint) (natural) (weather resistant). Connectors shall be (4-pin Neutrik) (screw type terminals). [The enclosure shall be equipped with (handles) (universal mounting hardware offering 12 3/8-16 attachment points) (Aeroquip track fittings top and bottom mounted).]

