



# RENKUS-HEINZ



## TRC81KH SERIES

### COMPACT 2-Way **COMPLEX CONIC** Loudspeaker Systems



#### **FULL RANGE, HIGH-LEVEL 2-WAY SYSTEMS**

80 Hz to 18 kHz performance; 118 dB output SPL from compact 2-way loudspeaker systems

#### **EXCLUSIVE COMPLEX CONIC DESIGN**

Complex Conic horns provide superior pattern control with low distortion

#### **1" EXTENDED-RANGE HF DRIVER**

provide smooth, low distortion high frequency performance to 18 kHz and beyond

#### **HEAVY-DUTY 8" WOOFER**

with a 2" VC and treated fiber cone handles 200 watts program and provides solid bass down to 80 Hz

#### **CHOICE OF COVERAGE PATTERNS**

choose between wide-angle 120° by 60° and 90° by 60° coverage

#### **CUSTOM FLEXIBILITY AND VERSATILITY**

Choice of finish, multi-angled construction, numerous options offer unprecedented versatility

#### **Full Range, High-Level Performance**

The TRC81/9KH and TRC81/12KH are high output versions of the popular TRC81/9K and TRC81/12K. They offer the same outstanding full-range performance and 6 additional dB of output level. They feature a high performance 1" HF compression driver and a heavy-duty 200 Watt 8" woofer with a 2" VC and Complex Conic horns. The unique design of these horns allows the horns to be rotated 90° within the cabinet to permit horizontal loudspeaker mounting in low ceiling applications.

#### **Exclusive Complex Conic Design**

Complex conic horn technology combines the best features of constant beamwidth (also called constant directivity) and oval horn designs into a complex conical waveguide that provides superior pattern control, especially at the higher frequencies. It completely eliminates "pattern flip", a phenomenon of constant beamwidth horns that reverses the dispersion characteristics at some frequency. The smooth contours of the complex conic waveguide also reduce high frequency "feathering" and the accompanying distortion. The end result is lower distortion, reduced high frequency coloration and a far more natural sound than that provided by any prior horn technology.

#### **Custom Flexibility And Versatility**

Both the TRC81/9KH and TRC81/12KH are available for either portable use or for fixed installations. Portable models are normally carpeted in black and equipped with handles, a tripod socket and "looping" Neutrik connectors. Fixed installation models are usually painted and supplied with screw terminals and a choice of mounting hardware in place of the connectors, handles and tripod socket. Mounting hardware choices include Omnimount Series 75 nut-plates or universal mounting hardware. U brackets are also available. Finish choices include black or white paint and natural (unfinished) to allow customizing in the field. Completely custom colors and weather resistant models are also available.

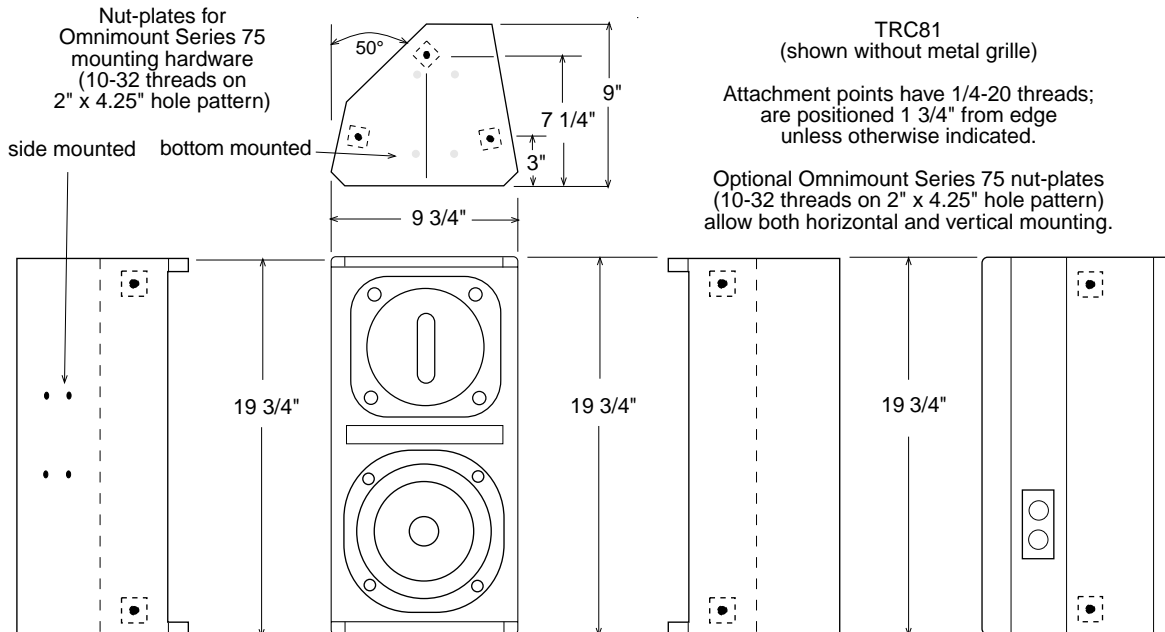
#### **Multi-Angled Design**

The multi-angled design of these loudspeaker cabinets adds further to their versatility. Their 10° trapezoidal sides are a natural for closely coupled array construction, while their 40° rear angle simplifies ceiling or corner mounting. The 40° angle also allows the TRC81/9KH and TRC81/12KH to be used as floor monitors.

## TECHNICAL SPECIFICATIONS

<p><b>SENSITIVITY:</b> 94 dB (1w/1m)</p> <p><b>MAXIMUM SPL:</b></p> <p style="padding-left: 20px;"><b>TRC81/9KH:</b> 118 dB program, 121 dB peak</p> <p style="padding-left: 20px;"><b>TRC81/12KH:</b> 117 dB program, 120 dB peak</p> <p><b>DISPERSION:</b></p> <p style="padding-left: 20px;"><b>TRC81/9KH:</b> 90° H by 60° V</p> <p style="padding-left: 20px;"><b>TRC81/12KH:</b> 120° H by 60° V</p>	<p><b>CROSSOVER POINT:</b> 2.2 kHz</p> <p><b>ENCLOSURE MATERIALS:</b> Multi-ply hardwood with perforated metal grille</p> <p><b>CONNECTORS:</b> Screw terminals , Neutrik 4-pin connectors</p> <p><b>FINISH OPTIONS:</b> Black, white or custom color paint, black carpet, natural, weather resistant</p>
<p><b>FREQUENCY RESPONSE:</b> 80 Hz to 18 kHz</p>	<p><b>HARDWARE OPTIONS:</b> 12-point 1/4-20 univ. mtg. hdw, Omnimount Series 75 nut plate, Optional U-bracket, Tripod Socket, Handles</p>
<p><b>HIGH FREQUENCY DRIVER:</b> 1" SSD202-8 driver, 40 Watts RMS at 8 Ohms, 80 Watts pgm</p>	<p><b>DIMENSIONS:</b> 19 3/4" H x 9 3/4" W x 9" D (50.2 cm x 24.8 cm x 22.9 cm)</p>
<p><b>LOW FREQUENCY DRIVER:</b> 8" model SSL8-2 woofer; 2" VC treated fiber cone, 100 Watts RMS at 8 Ohms, 200 W pgm.</p>	<p><b>NET WEIGHT:</b> 22 Lbs (10 Kg) net</p>
<p><b>POWER RATING:</b> 200 Watts at 8 Ohms</p>	

## DIMENSIONAL INFORMATION



## ARCHITECTS AND ENGINEERS SPECIFICATIONS

The loudspeaker shall be a Renkus-Heinz model (TRC81/9KH) (TRC81/12KH) or approved equal full-range, 2-way loudspeaker system utilizing Complex Conic horn technology. Loudspeakers having conventional constant beamwidth or oval horns will not be considered equal.

The loudspeaker system shall consist of a heavy duty 8" woofer and an extended range 1" HF driver coupled to a single Complex Conic, high frequency horn. The 8" woofer shall have a 2" VC, treated fiber cone and 200 Watt program power rating. High frequency power handling capacity shall be no less than 40 Watts RMS @ 8 Ohms. The loudspeaker shall provide closely controlled (90°) (120°) horizontal dispersion and 60° vertical coverage.

1w,1m sensitivity shall be no less than 94 dB with a maximum SPL of at least ( ) dB. The frequency response shall be 80 Hz to 18 kHz. The enclosure shall be "multi-angled" in shape and constructed from multi-ply hardwood. The finish shall be (black paint) (white paint) (custom color paint) (natural) (weather resistant). The loudspeaker shall be equipped with (screw terminals) (Neutrik 4-pin connectors). It shall also include a built-in crossover having a program power rating of 200 Watts at 8 Ohms.

The loudspeaker shall be no larger than 19 3/4" high, 9 3/4" wide and 9" deep. It shall weigh no more than 22 Lbs. A matching perforated metal grille shall be included. The enclosure shall be equipped with (a minimum of 12 attachment points) (a nut-plate for Omnimount Series 75 mounting hardware). (A matching U bracket shall be provided.)



19201 Cook Street, Foothill Ranch, CA 92610-3501

Tel: 949-588-9997 Fax: 949-588-9514 E-mail: Sales@renkus-heinz.com Web: www.rh.com