



RENKUS-HEINZ



TRC81K SERIES

COMPACT 2-Way **COMPLEX CONIC** Loudspeaker Systems



FULL RANGE, HIGH-LEVEL 2-WAY SYSTEMS

65 Hz to 20 kHz performance; 111 dB plus output SPL from compact 2-way loudspeaker systems

EXCLUSIVE COMPLEX CONIC DESIGN

Complex Conic horns provide superior pattern control with low distortion

1" EXTENDED-RANGE TITANIUM HF DRIVER

provide smooth, low distortion high frequency performance to 20 kHz and beyond

HEAVY-DUTY 8" WOOFER

with a 2" VC and treated fiber cone handles 140 watts program and provides solid bass down to 65 Hz

CHOICE OF COVERAGE PATTERNS

choose between wide-angle 120° by 60° and 90° by 60° coverage

CUSTOM FLEXIBILITY AND VERSATILITY

Choice of finish, multi-angled construction, numerous options offer unprecedented versatility

Full Range, High-Level Performance

The TRC81/9K and TRC81/12K offer outstanding, full-range, 65 Hz to 20 kHz performance for surprisingly compact 2-way loudspeaker systems. They feature a unique multi-angle cabinet design and the revolutionary new Renkus-Heinz Complex Conic horns. A high performance 1" Titanium HF driver and a heavy-duty 8" woofer with a 2" VC and 140-watt program power rating are also included. The unique horn design allows the horn to be rotated 90° within the cabinet and permits horizontal mounting in low ceiling applications.

Exclusive Complex Conic Design

Complex conic horn technology combines the best features of constant beamwidth (also called constant directivity) and oval horn designs into a complex conical waveguide that provides superior pattern control, especially at the higher frequencies. It completely eliminates "pattern flip", a phenomenon of constant beamwidth horns that reverses the dispersion characteristics at some frequency. The smooth contours of the complex conic waveguide also reduce high frequency "feathering" and the accompanying distortion. The end result is lower distortion, reduced high frequency coloration and a far more natural sound than that provided by any prior horn technology.

Custom Flexibility And Versatility

Both the TRC81/9K and TRC81/12K are available for either portable use or for fixed installations. Portable models are normally carpeted in black and equipped with handles, a tripod socket and "looping" Neutrik connectors. Fixed installation models are usually painted and supplied with screw terminals and a choice of mounting hardware in place of the connectors, handles and tripod socket. Mounting hardware choices include Omnimount Series 75 nut-plates or universal mounting hardware. U brackets are also available. The wide range of mounting hardware system choices further simplify both horizontal and vertical installations. Finish choices include black or white paint and natural (unfinished) to allow customizing in the field. Completely custom colors and weather resistant models are also available.

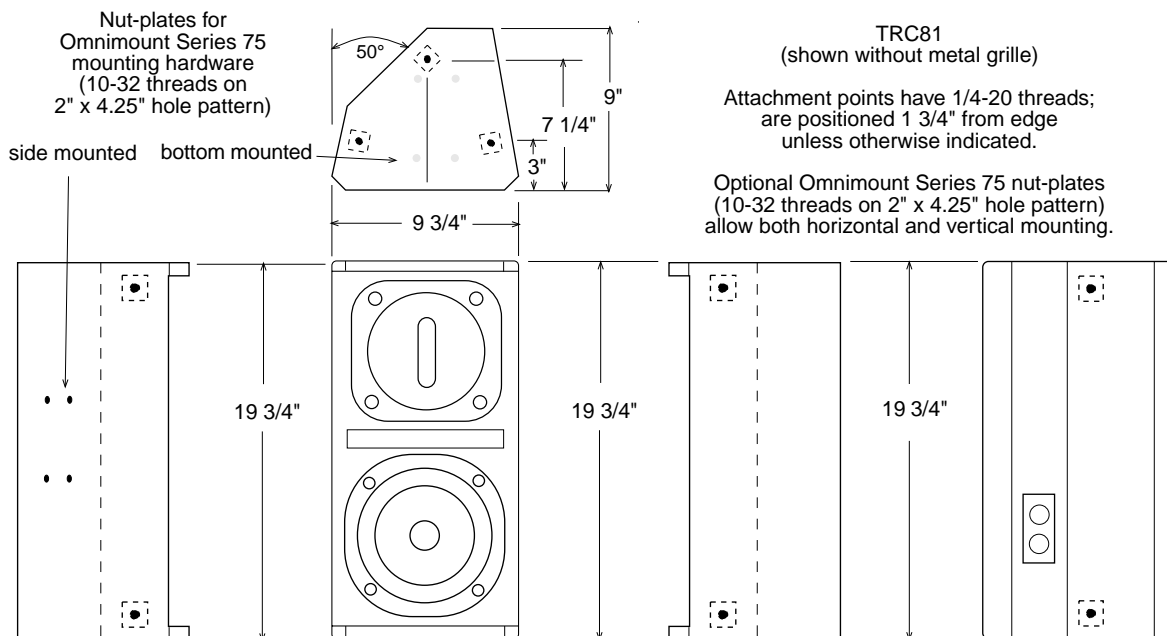
Multi-Angled Design

The multi-angled design of these loudspeaker cabinets adds further to their versatility. Their 10° trapezoidal sides are a natural for closely coupled array construction, while their 40° rear angle simplifies ceiling or corner mounting. The 40° angle also allows them to be used as floor monitors.

TECHNICAL SPECIFICATIONS

SENSITIVITY:	90 dB (1w/1m) @ 500 Hz	ENCLOSURE MATERIALS:	Multi-ply hardwood with perforated metal grille
MAXIMUM SPL:	111 dB program, 114 dB peak	CONNECTORS:	Screw terminals , Neutrik 4-pin connectors
DISPERSION:		FINISH OPTIONS:	Black, white or custom color paint, black carpet, natural, weather resistant
TRC81/9:	90° H by 60° V	HARDWARE OPTIONS:	12-point 1/4-20 univ. mtg. hdw, Omnimount Series 75 nut-plate, tripod socket, handles; optional U bracket
TRC81/12:	120° H by 60° V	DIMENSIONS:	19 3/4" H x 9 3/4" W x 9" D (50.2 cm x 24.8 cm x 22.9 cm)
FREQUENCY RESPONSE:	65 Hz to 20 kHz	NET WEIGHT:	17 Lbs (7.7 Kg) net
HIGH FREQUENCY DRIVER:	1" SSD102-8 Titanium driver, 15 watts RMS at 8 ohms, 30 watts program.		
LOW FREQUENCY DRIVER:	8" model SSL8-5 woofer; 2" VC treated fiber cone, 70 watts RMS at 8 ohms, 140 W program		
POWER RATING:	140 watts at 8 ohms		
CROSSOVER POINT:	2.4 kHz		

DIMENSIONAL INFORMATION



ARCHITECTS AND ENGINEERS SPECIFICATIONS

The loudspeaker shall be a Renkus-Heinz model (TRC81/9K) (TRC81/12K) or approved equal full-range, 2-way loudspeaker system utilizing Complex Conic horn technology. Loudspeakers having conventional constant beamwidth or oval horns will not be considered equal.

The loudspeaker system shall consist of a heavy duty 8" woofer and an extended range 1" Titanium HF driver coupled to a single Complex Conic, high frequency horn. The 8" woofer shall have a 2" VC, treated fiber cone and 140 watt program power rating. High frequency power handling capacity shall be no less than 15 watts RMS @ 8 ohms The loudspeaker shall provide closely controlled (90°) (120°) horizontal dispersion and 60° vertical coverage.

1w,1m sensitivity shall be no less than 90 dB @ 500 Hz with a maximum SPL of at least 111dB. The frequency response shall be 65 Hz to 20 kHz. The enclosure shall be "multi-angled" in shape and constructed from multi-ply hardwood. The finish shall be (black paint) (white paint) (custom color paint) (natural) (weather resistant). The loudspeaker shall be equipped with a matching perforated metal grille and (screw type terminals) (Neutrik 4-pin connectors).

The loudspeaker shall be no larger than 19 3/4" high, 9 3/4" wide and 9" deep. It shall weigh no more than 17 Lbs. shall be included. The enclosure shall be equipped with (a minimum of 12 attachment points) (a nut-plate for Omnimount Series 75 mounting hardware) (a U bracket). It shall also include a built-in crossover having a program power rating of 140 watts at 8 ohms.



19201 Cook Street, Foothill Ranch, CA 92610-3501

Tel: 949-588-9997 Fax: 949-588-9514 E-mail: Sales@renkus-heinz.com Web: www.rh.com