



RENKUS-HEINZ

FOR A BETTER SOUNDING WORLD

Outstanding Performance, Unequaled Versatility

TRX Series loudspeakers use advanced technology and application-driven engineering to bring live sound closer to the ultimate reference point: reality. Cutting edge driver technology and unique innovations such as our Complex Conic horns deliver natural sounding music and intelligible speech. Versatile enclosure designs, combined with a wide range of mounting options and associated hardware, provide unrestricted flexibility for both portable and installed applications. Wherever audiences and operators demand superior performance and ease of use, TRX Series loudspeakers are the choice for unequalled value.

Applications

- Developed especially for in-wall mounting in stair risers and stage lips.
- Ideal for many side and front fill applications; mounts inconspicuously in walls or ceilings, under and over balconies, etc.
- Foreground music systems in shopping malls, retail stores, offices, etc.

High Performance, High Output In-Wall Design

The TRX42 was developed specifically for the multitude of applications needing full-size performance from a compact loudspeaker that could easily be installed in stair treads, walls or ceilings.

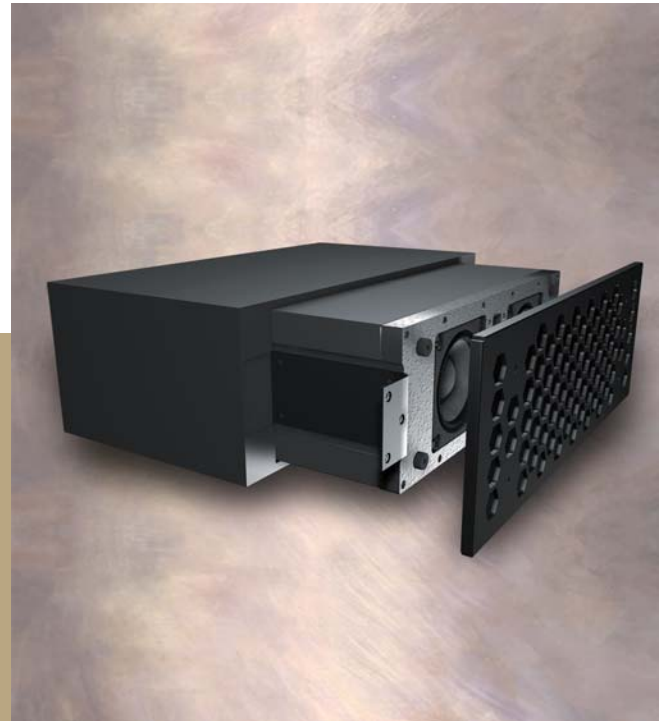
It features a 1" high frequency compression driver with a 1" throat coupled to a diffraction slot and dual 4" woofers. The diffraction slot eliminates high frequency beaming and provides wide angle coverage out to 20 kHz and beyond. The dual high-efficiency 4" woofers produce a strong low end. Together, the 1" HF driver and dual 4" woofers deliver a surprisingly high 122 dB peak output level from 300 Hz to 20 kHz.

The compact TRX42 mounts easily between 16" studs (it's only 14 3/8" wide by 5 3/8" high) in stair treads, stage lips, walls and ceilings. Protection against damage is provided by a heavy gauge metal grille.

An optional heavy gauge metal back box is available for applications where building codes require a metal enclosure or the loudspeaker will be installed in concrete.

TRX42 "StairStep Loudspeaker"

COMPACT, LOW PROFILE
DUAL 4" + 1" HF
LOUDSPEAKER



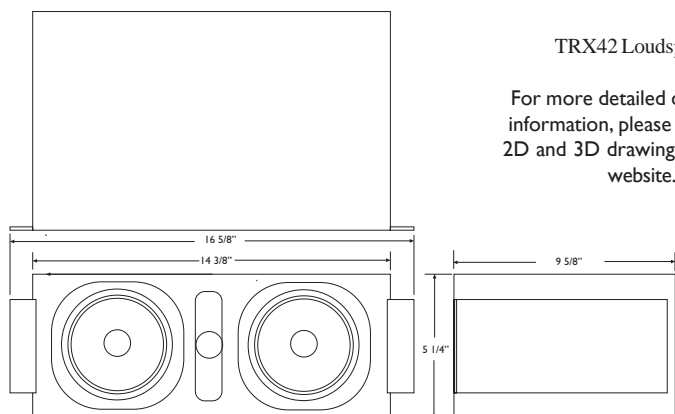
- **High Performance, High Output**
Outstanding, full-range 300 Hz to 20 kHz, 122 dB Peak SPL performance in a space-saving in-wall design.
- **Wide-Angle 150° by 60° Coverage**
HF diffraction slot provides smooth 150° by 60° coverage.
- **1" Extended Range Titanium HF Driver**
Provides smooth, low distortion high frequency performance to 20 kHz and beyond.
- **Dual Heavy-Duty 4" Woofers**
Easily handle 100 Watts of program power.
- **Heavy 18 Gauge Metal Back Box**
Optional 18 gauge metal back box is "concrete pour" ready.
- **Built-in Crossover**
Eliminates need for a separate electronic crossover and bi-amplification

TECHNICAL SPECIFICATIONS

SENSITIVITY: 95 dB (1W/1m)
MAXIMUM SPL: 119 dB program, 122 dB peak
DISPERSION: 150° H by 60° V
FREQUENCY RESPONSE: 300 Hz to 20 kHz
HF DRIVER: 1" SSD102-8 Titanium driver,
15 W RMS, 30 W program
LF DRIVERS: Dual 4" model SSL4-1 4" woofers, 1.25"
VC, 60 W RMS (120 Watts program)
each
CROSSOVER POINT: 2.2 kHz
POWER RATING: 240 Watts program at 16 Ohms

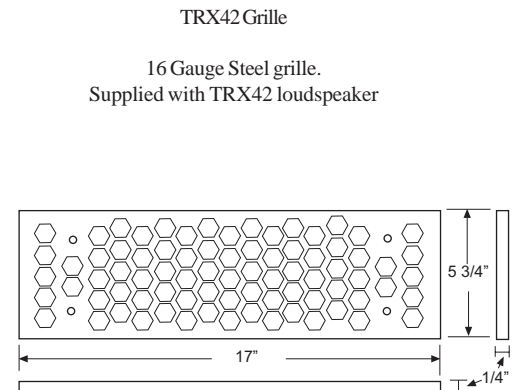
MATERIALS:
Enclosure: Hardwood with perforated metal grille
Back Box: 18 gauge CRS with black powder coat
CONNECTORS: Screw terminals
FINISH OPTIONS: Black, white or custom paint
Natural (unfinished)
DIMENSIONS:
TRX42: 5 1/4" H x 16 5/8" W x 9 5/8" D
(13.3 cm x 42.2 cm x 24.4 cm)
TRX42BOX: 5 5/8" H x 16 7/8" W x 13 3/16" D
(14.2 cm x 43 cm x 33.5 cm)
NET WEIGHT:
TRX42: 12 Lbs (5.5 Kg) net
TRX42-BACKBX: 12 Lbs (5.5 Kg) net

Dimensional Information



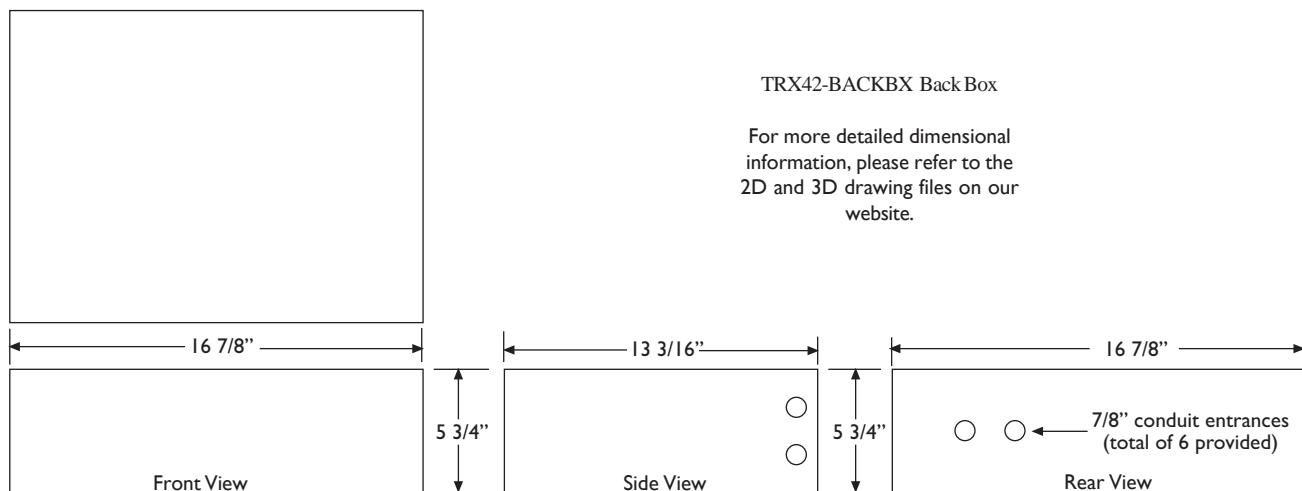
TRX42 Loudspeaker

For more detailed dimensional information, please refer to the 2D and 3D drawing files on our website.



TRX42 Grille

16 Gauge Steel grille.
Supplied with TRX42 loudspeaker



TRX42-BACKBX Back Box

For more detailed dimensional information, please refer to the 2D and 3D drawing files on our website.



RENKUS-HEINZ
 FOR A BETTER SOUNDING WORLD

Renkus-Heinz, Inc., 19201 Cook Street, Foothill Ranch, CA 92610-3501, USA
 Tel: 949-588-9997 Fax: 949-588-9514 Email: Sales@renkus-heinz.com
 Web: www.renkus-heinz.com