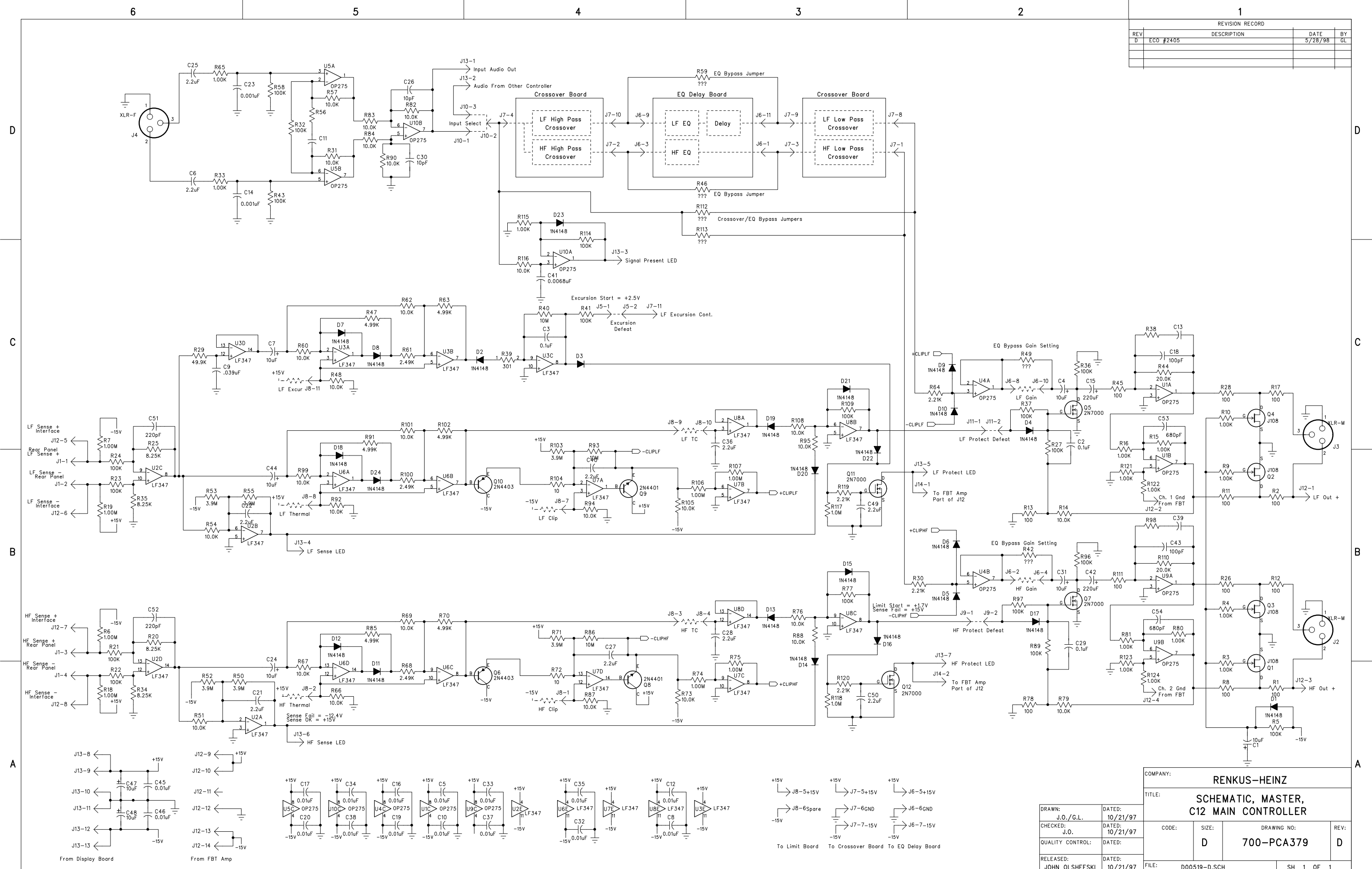


REVISION RECORD			
REV	DESCRIPTION	DATE	BY
D	ECO #2405	5/28/98	GL



COMPANY: RENKUS-HEINZ			
TITLE: SCHEMATIC, MASTER, C12 MAIN CONTROLLER			
DRAWN: J.O./G.L.	DATED: 10/21/97	CODE: D	SIZE: 700-PCA379
CHECKED: J.O.	DATED: 10/21/97	DRAWING NO: 700-PCA379	REV: D
QUALITY CONTROL:	DATED:	FILE: D00519-D.SCH	SH 1 OF 1
RELEASED: JOHN OLSHEFSKI	DATED: 10/21/97		

