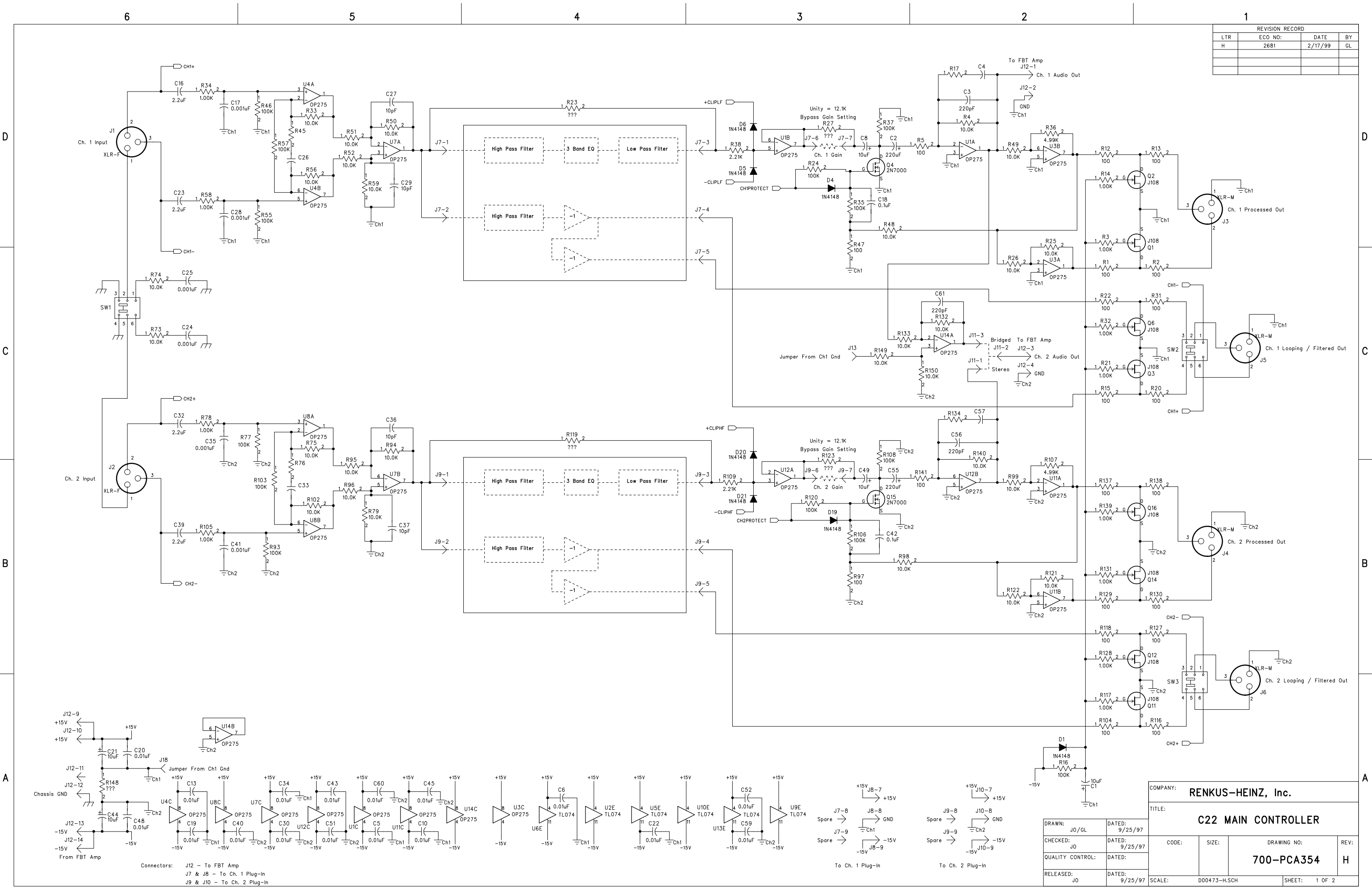
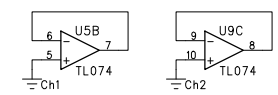
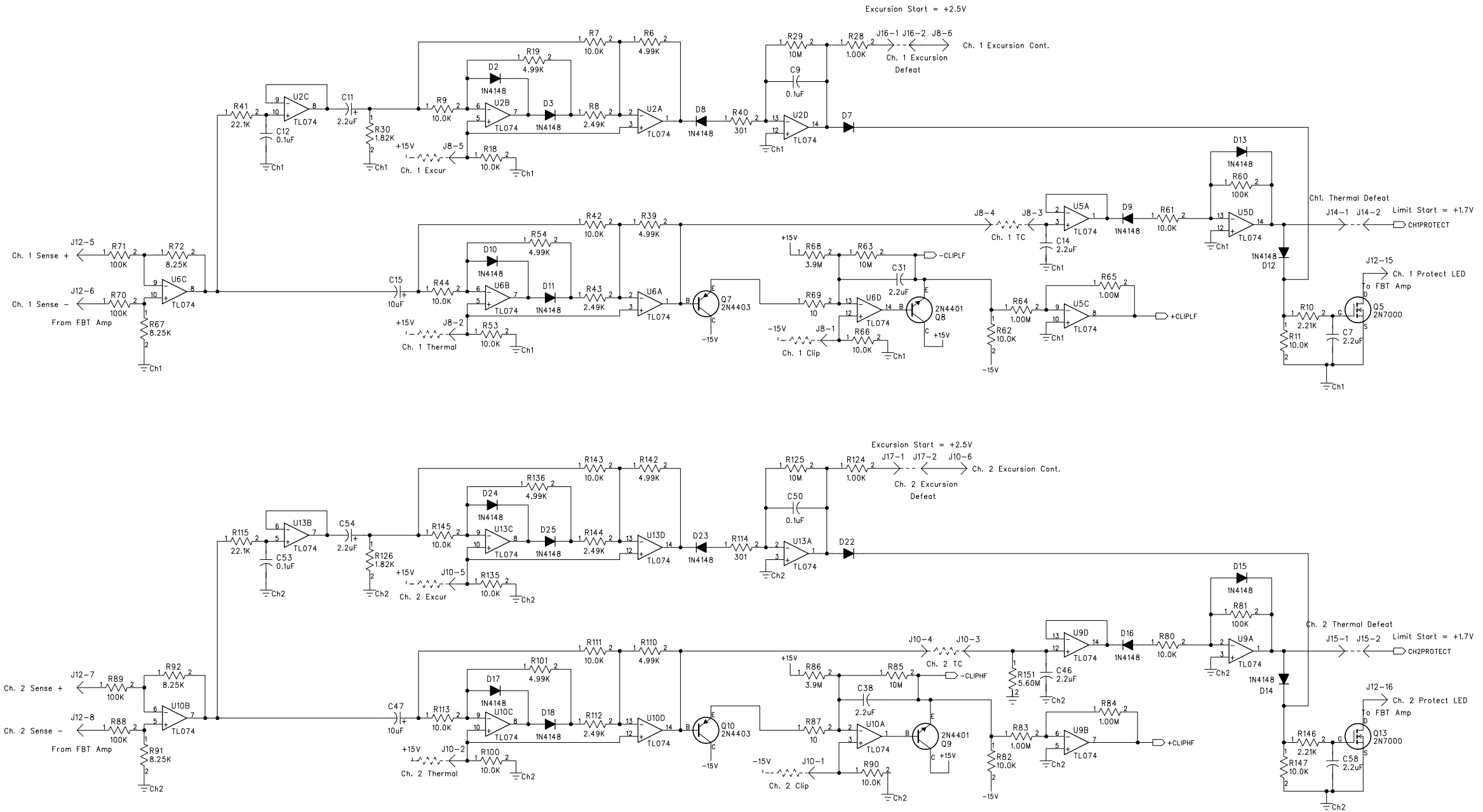


REVISION RECORD			
LTR	ECO NO:	DATE	BY
H	26B1	2/17/99	GL



COMPANY: RENKUS-HEINZ, Inc.			
TITLE: C22 MAIN CONTROLLER			
DRAWN: JO/GL	DATED: 9/25/97	CODE:	REV: H
CHECKED: JO	DATED: 9/25/97	SIZE:	DRAWING NO: 700-PCA354
QUALITY CONTROL:	DATED:	SCALE: D00473-H.SCH	SHEET: 1 OF 2
RELEASED: JO	DATED: 9/25/97		

REVISION RECORD			
LTR	ECO NO:	DATE	BY
H	2681	2/17/99	GL



COMPANY: RENKUS-HEINZ, Inc.			
TITLE: C22 MAIN CONTROLLER			
DRAWN: JO/GL	DATED: 9/25/97	CODE:	REV: H
CHECKED: JO	DATED: 9/25/97	SIZE:	DRAWING NO: 700-PCA354
QUALITY CONTROL:	DATED:	SCALE: D00473-H.SCH	SHEET: 2 OF 2
RELEASED: JO	DATED: 9/25/97		