

REVISION RECORD			
LTR	ECO NO:	DATE	BY
A	RELEASE: ECO#2084.	8/22/97	GL

D

C

B

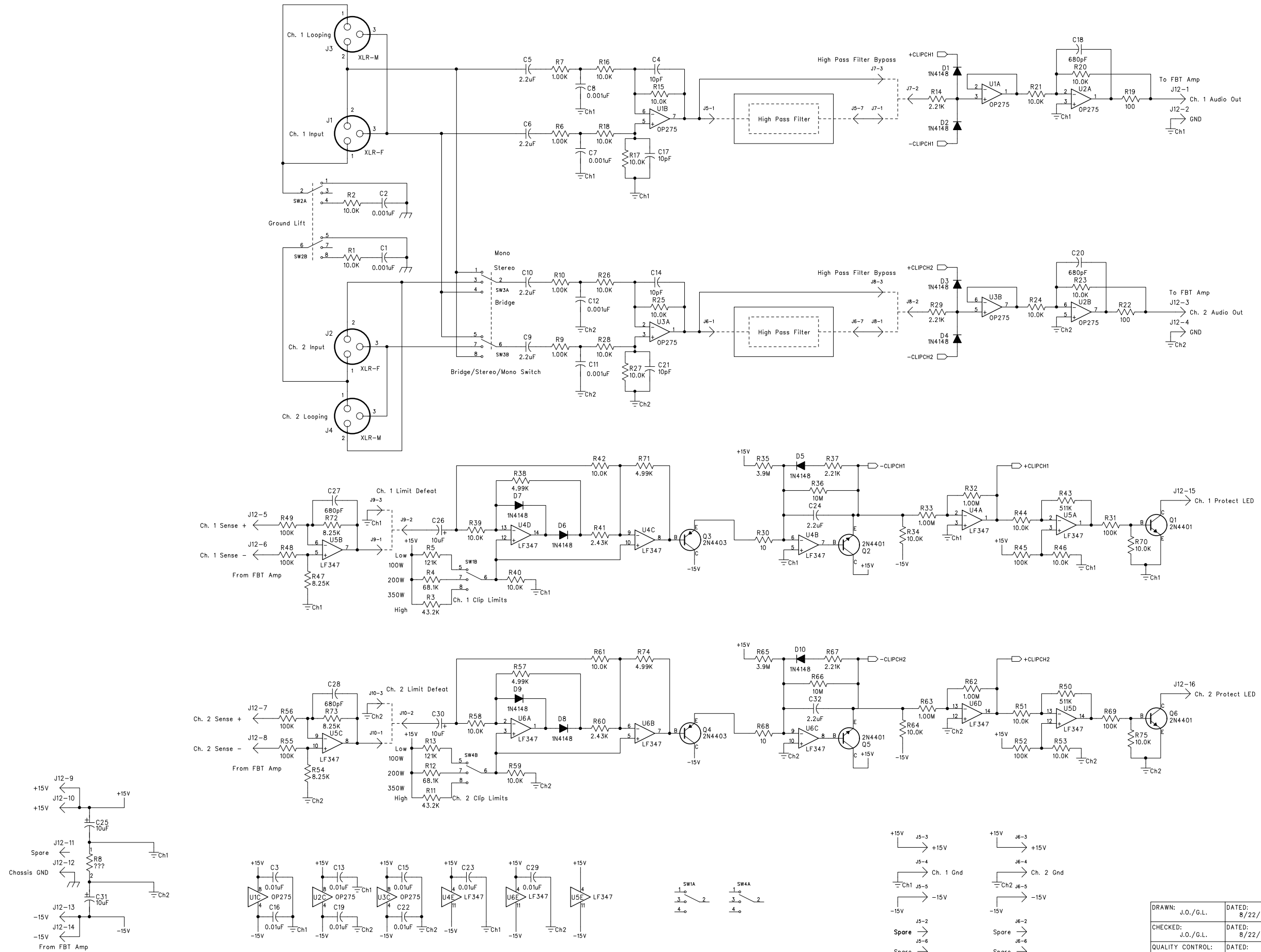
A

D

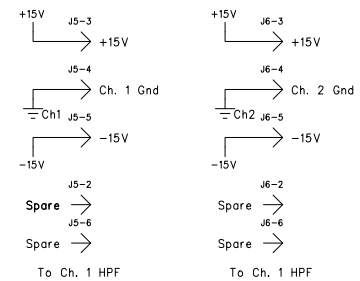
C

B

A



Connectors: J12 - To FBT Amp



COMPANY: Renkus-Heinz			
TITLE: L20 Main Board			
DRAWN: J.O./G.L.	DATED: 8/22/97	CODE:	REV: A
CHECKED: J.O./G.L.	DATED: 8/22/97	SIZE:	DRAWING NO: 700-PCA394
QUALITY CONTROL:	DATED:	SCALE: D00547-A.SCH	SHEET: 1 OF 1
RELEASED: J.O.	DATED: 8/22/97		