

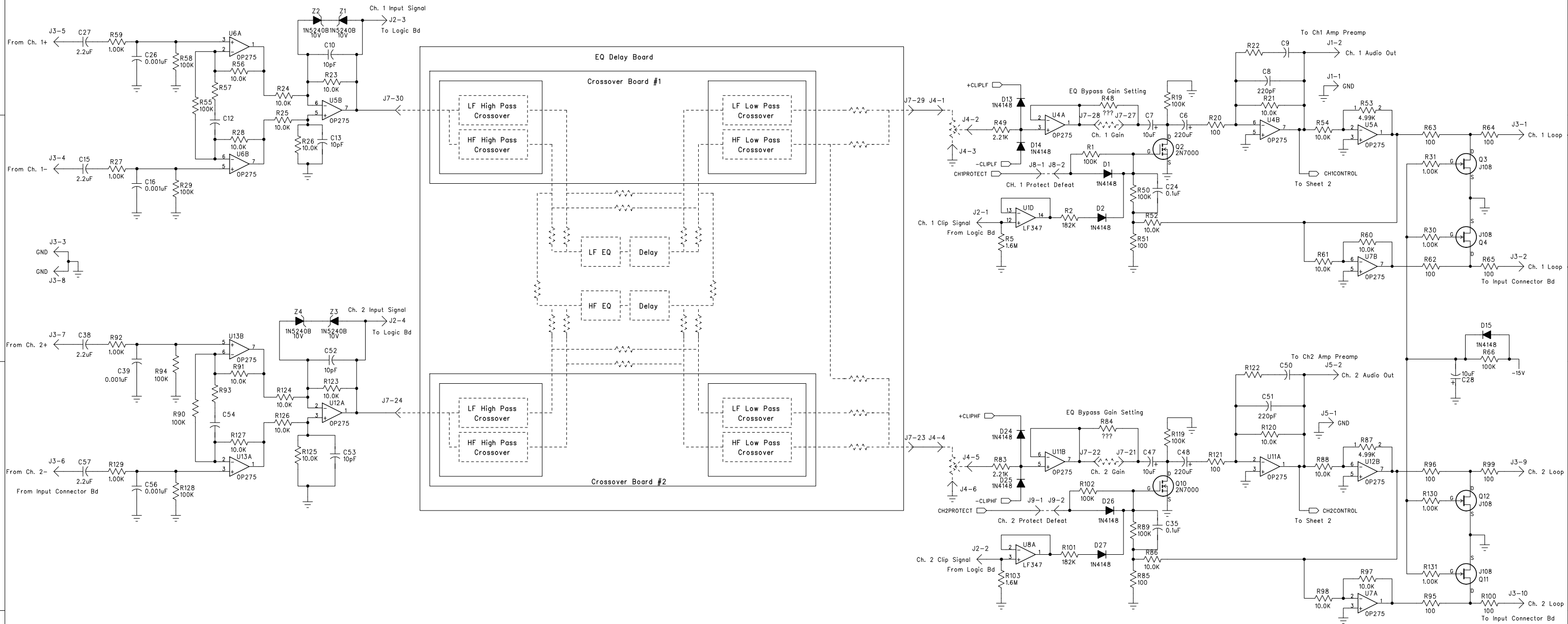
REVISION RECORD			
LTR	ECO NO:	DATE	BY:
F	2405	5/29/98	G.L.

D

C

B

A



A

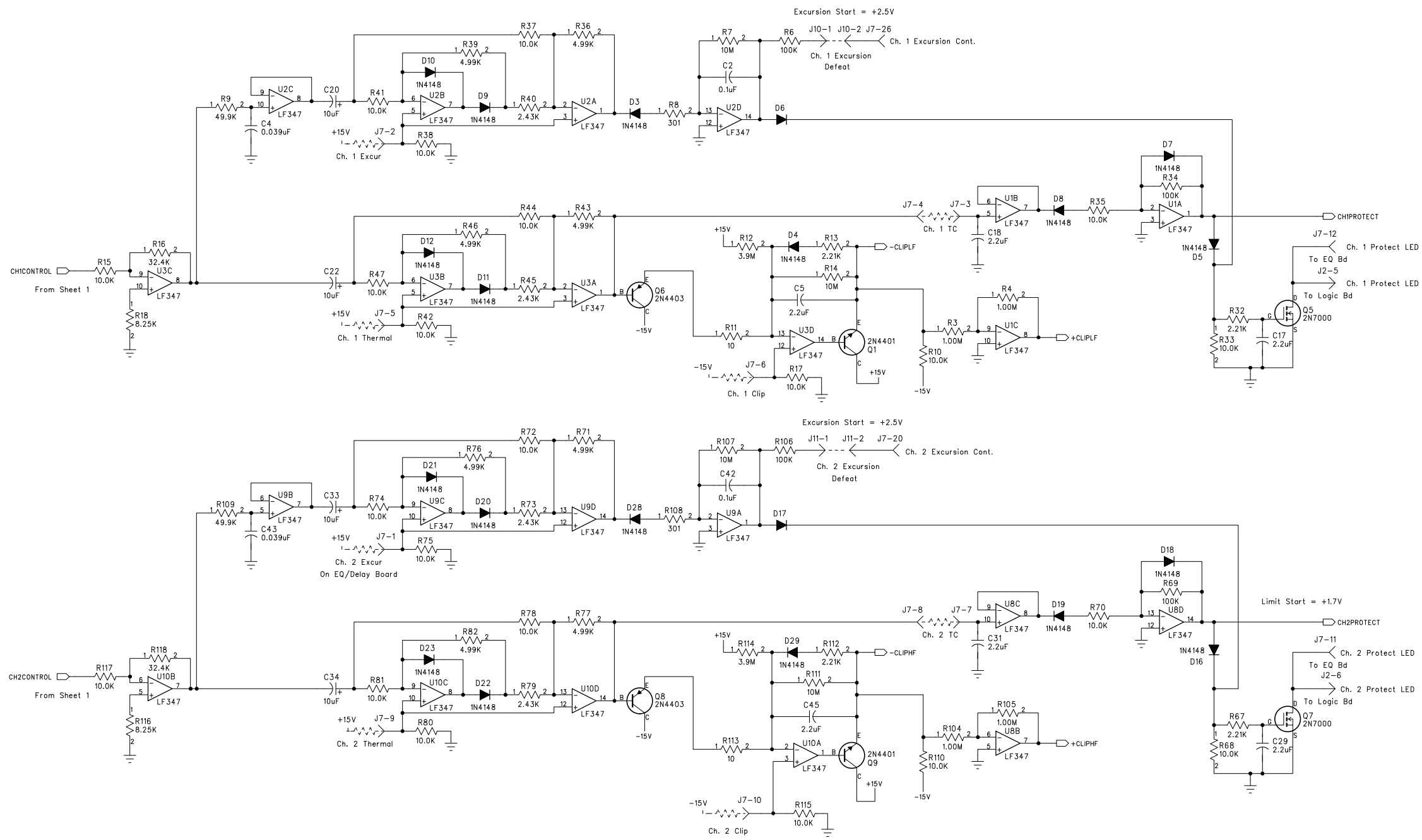
A



J7-19 > Spare
 J7-25 > Spare
 Edge Card Connector

COMPANY: RENKUS HEINZ, Inc.			
TITLE: PCBA, AMP, P3500, CONTROLLER			
DRAWN: J.O./G.L.	DATED: 11/4/97	CODE:	SIZE:
CHECKED: J.O.	DATED: 11/4/97	DRAWING NO: 700-PCA327	
QUALITY CONTROL:	DATED:	REV: F	
RELEASED: J.O.	DATED: 11/4/97	SCALE: D00431-F.SCH	SHEET: 1 OF 2

REVISION RECORD			
LTR	ECO NO:	DATE:	BY:
F	2405	5/28/98	GL



COMPANY: RENKUS-HEINZ, Inc.			
TITLE: PCBA, AMP, P3500, CONTROLLER			
DRAWN: J.O./G.L.	DATED: 11/4/97	CODE:	REV: F
CHECKED: J.O.	DATED: 11/4/97	SIZE:	DRAWING NO: 700-PCA327
QUALITY CONTROL:	DATED:	SCALE: D00431-F.SCH	SHEET: 2 OF 2
RELEASED: J.O.	DATED: 11/4/97		