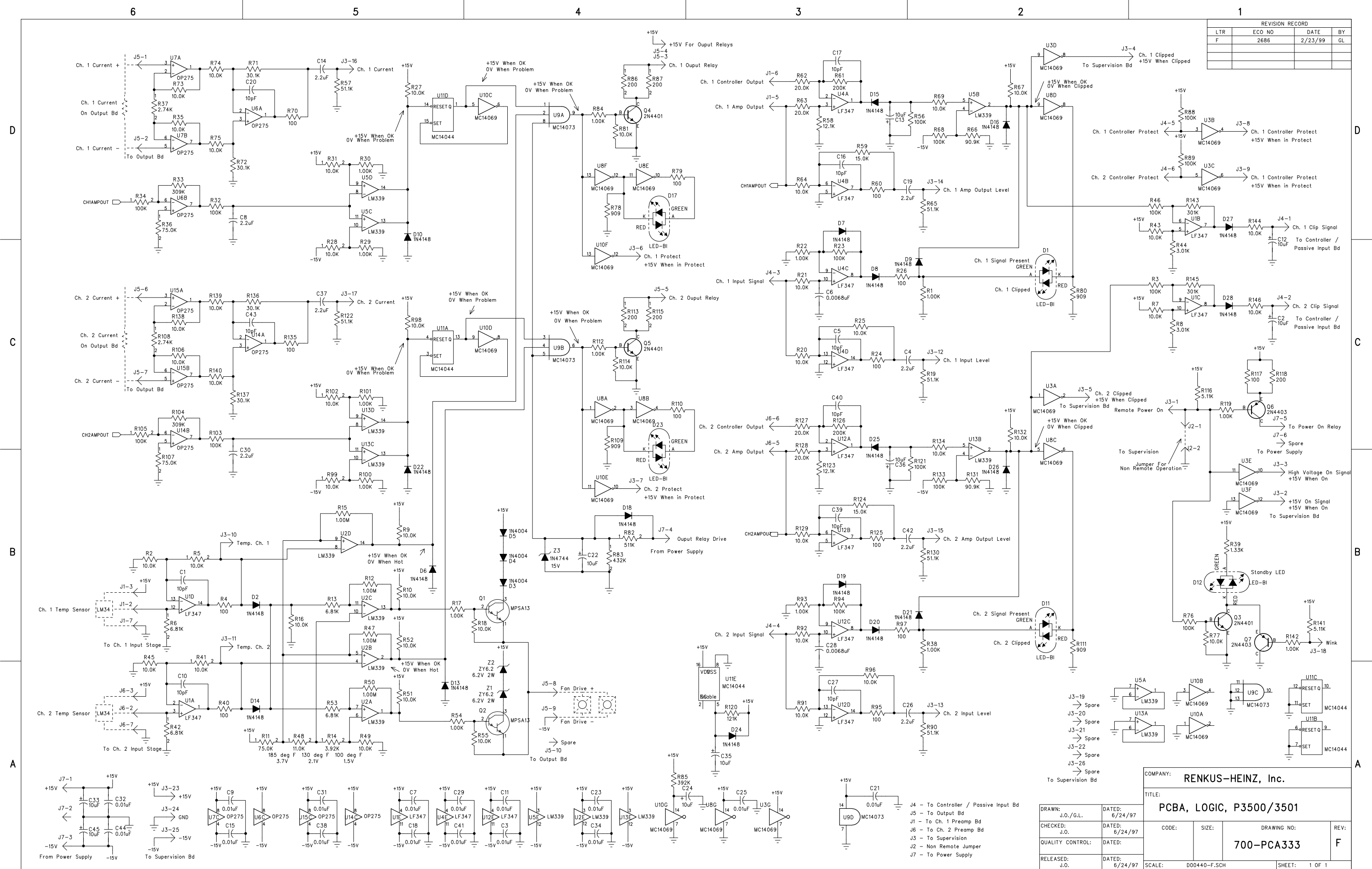


REVISION RECORD			
LTR	ECO NO	DATE	BY
F	2686	2/23/99	GL



COMPANY: RENKUS-HEINZ, Inc.			
TITLE: PCBA, LOGIC, P3500/3501			
DRAWN: J.O./G.L.	DATED: 6/24/97	CODE:	SIZE:
CHECKED: J.O.	DATED: 6/24/97	DRAWING NO: 700-PCA333	
QUALITY CONTROL:	DATED:	REV: F	
RELEASED: J.O.	DATED: 6/24/97	SCALE: D00440-F.SCH	SHEET: 1 OF 1

- J4 - To Controller / Passive Input Bd
- J5 - To Output Bd
- J1 - To Ch. 1 Preamp Bd
- J6 - To Ch. 2 Preamp Bd
- J3 - To Supervision
- J2 - Non Remote Jumper
- J7 - To Power Supply