

6

5

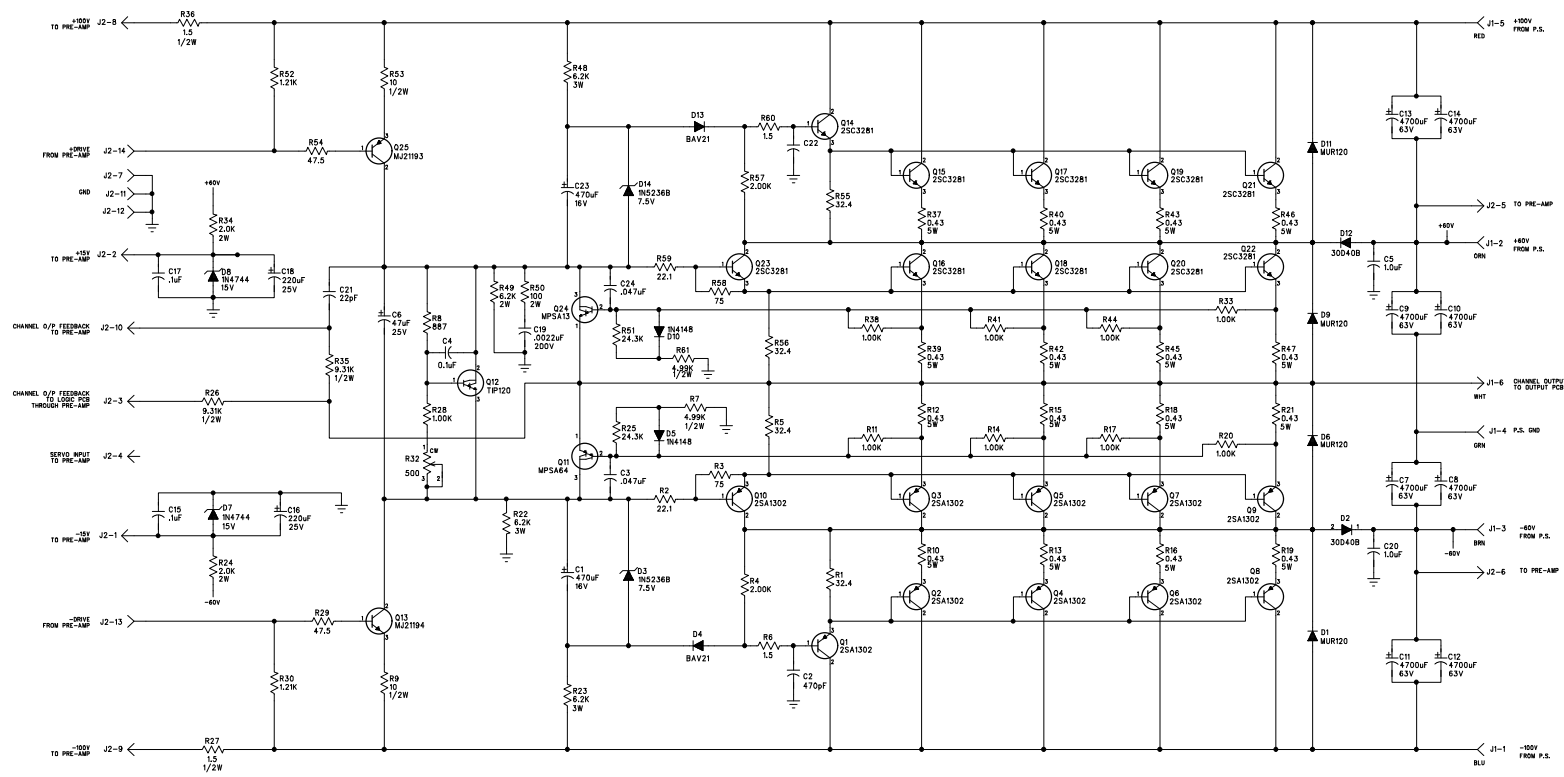
4

3

2

1

| REV | DESCRIPTION | DATE | BY |
|-----|-------------------|----------|------|
| A | RELEASE - ECD0037 | 03/13/97 | T.F. |
| | | | |
| | | | |



| | | | | | |
|------------------|--|----------------|--|----------------------------------|--|
| DESIGNED: J.O. | | DATE: 03/13/97 | | TITLE: PCBA, CHANNEL, P3500/3501 | |
| RELEASED: J.O. | | DATE: 03/13/97 | | DRAWING NO: 700-PCA337 | |
| DRAWN: J.O./T.F. | | DATE: 03/13/97 | | REV: A | |
| QUALITY CONTROL: | | DATE: | | FILE: D00448-A.SCH | |
| | | | | SHEET: 1 OF 1 | |

COMPANY: RENKUS-HEINZ, Inc.