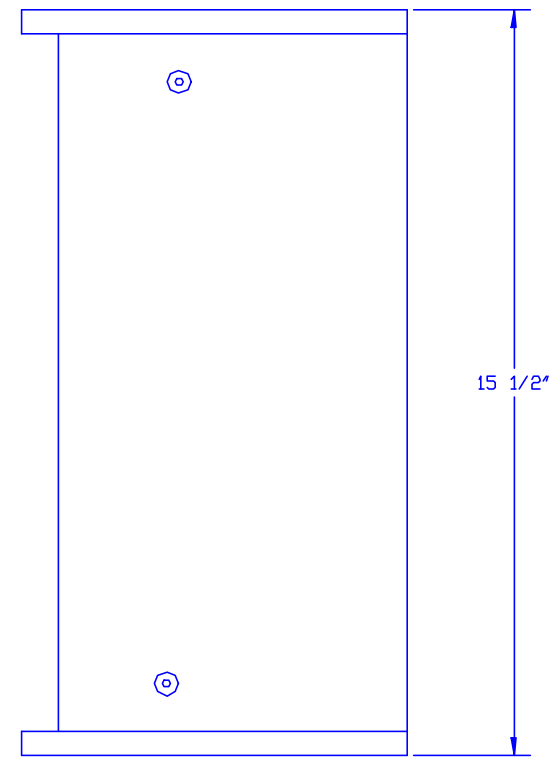
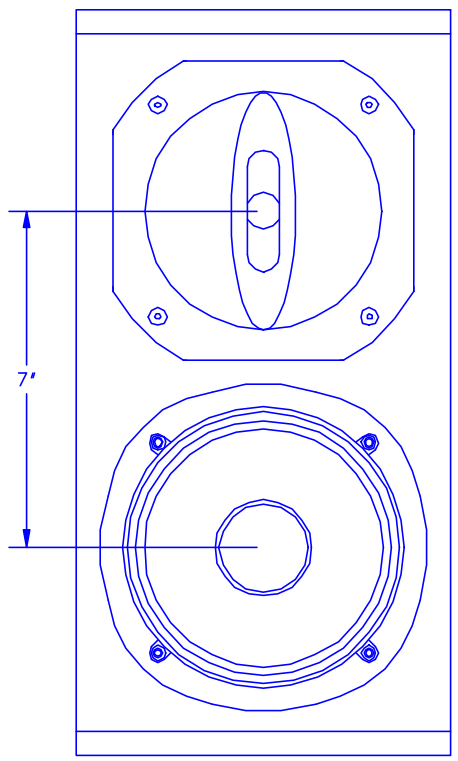
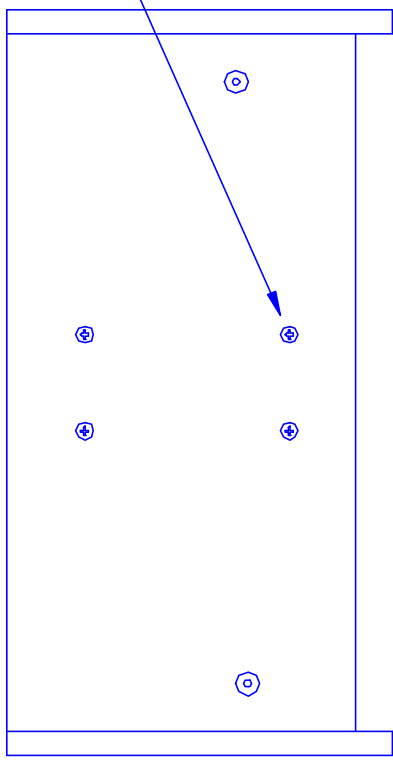
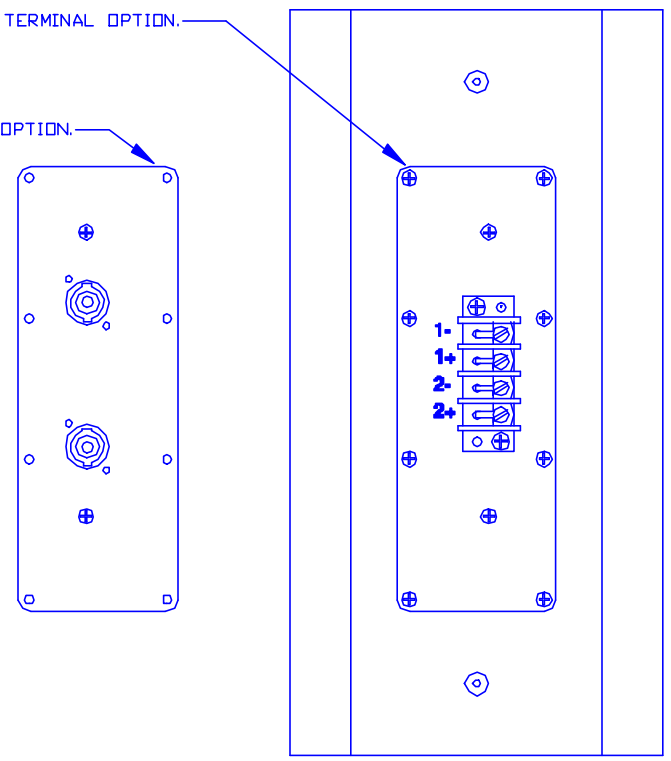


OMNIMOUNT SERIES 75 MOUNTING

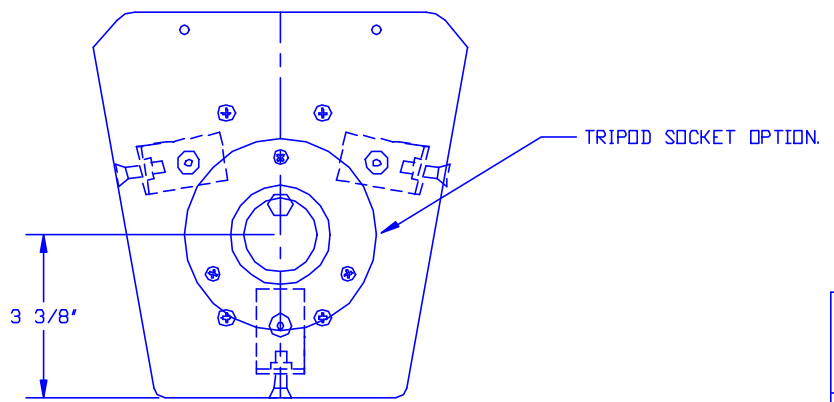
SCREW TERMINAL OPTION.

4 PIN NEUTRIK OPTION.



NOTES

- 1. Outside dimensions are for painted cabinets. Add approximately 0.25 inch for carpeted cabinets.
- 2. Attachment point locations are approximate. Design attachment plates with slotted holes for adjustability.



TRIPOD SOCKET OPTION.

PART NUMBER LIST			
REV	DESCRIPTION	DATE	BY
A	RELEASE: ECO #2004	6/11/97	GL
B	ADD 1/4 X 20 U-BRACKET MOUNTING, ECO #2737	6/7/99	
C	REVISED AND REDRAWN	4/5/02	

REV	DESCRIPTION	DATE	BY
A	RELEASE: ECO #2004	6/11/97	GL
B	ADD 1/4 X 20 U-BRACKET MOUNTING, ECO #2737	6/7/99	
C	REVISED AND REDRAWN	4/5/02	

UNLESS OTHERWISE SPECIFIED DIMENSIONS ARE IN INCHES TOLERANCES ARE:		INTL	DATE	RENKUS-HEINZ, Inc.
DECIMALS .XXX .01	ANGLES ±0° 30'	DRAWN PR	6/4/97	
XXX±.005		CHECK GL	6/10/97	
		DESIGN ENG	6/10/97	
		APPROV BRD		
		APPROV		TITLE: TRC61 & TRX61
		APPROV		
		REF DWR		
		D00509-C.DWG		
NEXT ASSY.	USED ON	DO NOT SCALE DRAWING	SIZE D	CODE IDENT 600-SPKRASMTRC61
APPLICATION	REARR AND REMOVE SHARP EDGES	SCALE 1 = 2	WEIGHT	REV C

THE MATERIAL CONTAINED HEREIN IS PROPRIETARY TO RENKUS-HEINZ AND SHALL NOT BE REPRODUCED DISCLOSED OR USED FOR ANY OTHER PURPOSE WITHOUT THE WRITTEN APPROVAL OF RENKUS-HEINZ.