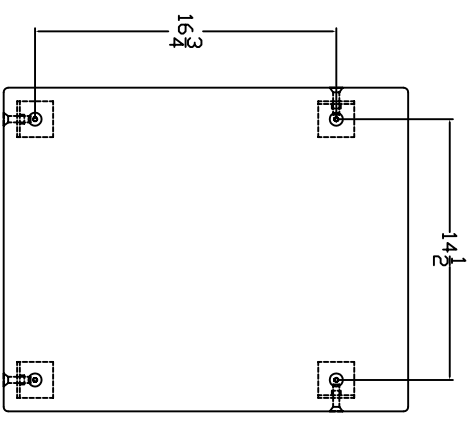


1. Attachment point locations are approximate. Design attachment plates with slotted holes for adjustability.

NOTES



UNLESS OTHERWISE SPECIFIED
DIMENSIONS ARE IN INCHES
TOLERANCES ARE:
DECIMALS ANGLES
XXX.XX 40 30
XXX.XXX

THE MATERIAL CONTAINED HEREIN IS PROPRIETARY
TO RENKUS-HEINZ AND IS NOT TO BE REPRODUCED
OR DISCLOSED IN ANY MANNER WITHOUT THE WRITTEN APPROVAL OF RENKUS-HEINZ.

REV	DESCRIPTION	DATE	BY
A	Released	9/9/03	CD

INTL.	DATE	TITLE
DRAWN C.R.	7/03	SPEAKER ASSY, BPS15-1
CHECK DESIGN		
ENG		
APPROV		

REF DWG	SIZE	CODE	IDENT	DWG NO.	REV
BPS15-1.dwg	Q			BPS15-1.dwg	A

APPLICATION	USED IN	DO NOT SCALE DRAWING	REPAIR AND REMOVE SHARP EDGES	SCALE	WEIGHT	SHEET
						1 OF 1

RENKUS-HEINZ, Inc.

PART NUMBER LIST