



Commanding Performance, Compelling Value

Sound that makes performances and audiences truly come alive doesn't come easy. But CF/CFX series loudspeakers put the power of unique Renkus-Heinz developments like Complex Conic horns to work for you. Versatile enclosure designs, go-anywhere hardware and rugged construction help solve your sound reinforcement challenges easily and quickly. Advanced options like intelligent onboard amplification and RHAON — the Renkus-Heinz Audio Operations Network — help you build sophisticated sound systems that are easy to use.

CF15S and CFX15S-8 subwoofers were developed as companion pieces to the CF/CFX series point source line array modules. They provide the high impact sub bass energy needed in many venues and also serve as a mounting platform for both stacked and flown arrays.

Applications

- Virtually any application where high-output, low frequency content is required

Permanent Installations

- High quality music/speech systems and surround systems for houses of worship, schools, performing art centers, night clubs, etc.

Portable Applications

- Live music reinforcement, DJ systems, houses of worship, schools, etc.

PF Series Intelligent Amplifiers



Passive, powered or networked, you can choose the system configuration that meets your needs at any time. At the factory or in the field, the CFX passive connector plate can be easily replaced by a PF1 series intelligent Class D digital amplifier. The lightweight switching power supply used in the PF1 series is over 70% efficient at full output. Their high efficiency reduces AC power requirements and eliminates the need for a cooling fan.



Whenever you are ready for Ethernet audio networking, your CF/CFX loudspeakers are too; just replace the connector plate with a RHAON empowered PF1-500R amplifier equipped for connection to the Renkus-Heinz Audio Operations Network. RHAON empowers you with full control over digital audio distribution, loudspeaker-specific DSP and control/monitoring — all using standard Ethernet hardware and cabling.

If you need an outstanding high-power 15-inch subwoofer, order the CFX15S-8 or CF15S-5. If you need Ethernet-based audio operations networking, order the CF15S-5R.

CF / CFX Series

CF15S

Self-Powered

CFX15S-8

Non-Powered

Modular Point Source Line Array 15" Subwoofers



CF15S/CFX15S-8 Subwoofer



CF15S/CFX15S-8 Subwoofer
used as an array base



CF15S/CFX15S-8 Subwoofer
used in a flown array

• Powerful 15" Subwoofers

High impact 40 Hz to 120 Hz, 129 dB peak SPL sub-bass performance.

• Outstanding Versatility

Pole socket and flying hardware allow use as a mounting platform for both stacked and flown CF/CFX101LA-8 arrays.

• Flexible Configurations

Choose externally powered or go self-powered with the PF1 series intelligent amplifiers, with or without RHAON networking.

• RHAON Renkus-Heinz Audio Operations Network

All self-powered CF15S series subwoofers are available with RHAON for flexible digital signal distribution, loudspeaker management and control.

• High Performance, High Power Woofers

With long-throw Neodymium magnetic structures easily handle 800 Watts of program power.

TECHNICAL INFORMATION

Sensitivity
CF15S-5 & -5R: 1.0 V for RPO
CFX15S-8: 97 dB (1W/1m)

Max SPL
CF15S-5 & -5R: 127 dB peak
CFX15S-8: 129 dB peak

Freq. Resp: 40 Hz to 120 Hz

LF Driver: CF15S: 15" woofer with Neodymium magnet, model SSL15-20; 400 W RMS @ 4 Ohms, 800 W pgm
 CFX15S-8: 15" woofer with Neodymium magnet, model SSL15-17; 400 W RMS @ 8 Ohms, 800 W pgm

Enclosure: 13-ply hardwood, perforated metal grille
Finish: Black or white; custom color optional

Power: 500 W RMS @ 4 Ohms
Freq. Resp: +0.0, -5 dB, 20 Hz to 20 kHz
THD Distortion: < 0.02% typical
Hum & Noise: <100 dB (A weighted)
Damping: >100
Input: 10K Ohm balanced differential
Sensitivity: 1.0 V for RPO
CMR: 74 dB

PF1-500 DIGITAL AMPLIFIER

Power
CF15S-5 & -5R: 115 V AC or 230V AC
CFX15S-8: 800 W pgm at 8 Ohms
Connectors
CF15S-5 & -5R: See amplifier specifications
CFX15S-8: Screw terminals & looping 4-pin Neutrik Speakon style connectors

Hardware: 8-point univ. mtg. hdw. (Metric M10 threads) Threaded pole socket, Integral flying hardware
 Optional - heavy duty wheels

Dimensions: 19" H x 23 3/4" W x 22 1/2" D (48.3 cm x 60.3 cm x 56.5 cm)

Weight
CF15S-5 & -5R: 114 Lbs (51.7 Kg) net
CFX15S-8: 112 Lbs (50.8 Kg) net

Controls: Gain (screwdriver adjustable)
Power Connector: IEC Power connector
Input: Looping XLR; female in, male out (pin 1 chassis, pin 2 +, pin 3 -)
Power: Switchable, 115 or 230 V AC, 50/60 Hz
 5 A @ 120 V, 2.5 A @ 240 V
 Idle current: 400 ma @120 V; 200 ma @ 240 V
 Max inrush current: 1 A

PF1-500R RHAON EMPOWERED AMPLIFIER

The PF1-500R is identical to the PF1-500 except for the addition of the RHAON Network Interface; additional capabilities include:

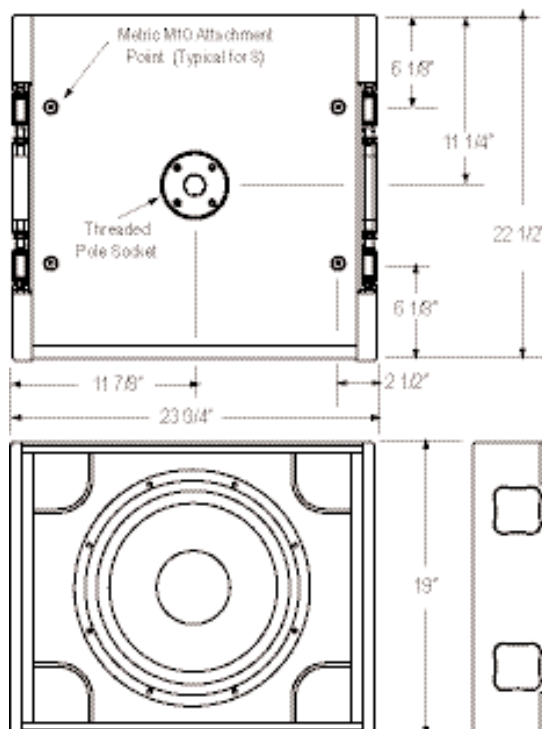
Inputs: CobraNet: Dual RJ45 connectors; accept Cat 5 copper cable.
 Analog: Phoenix connectors

Protection: Soft & Peak limiting, Excursion Control & Thermal Regulation

Digital Format: 16, 20 or 24 bit PCM; 48 or 96 kHz sample rate; selectable Network Latency.

For additional details on the RHAON Audio Operations Network, refer to www.renkus-heinz.com/Rhaon/Index.html.

Note: All analog inputs and outputs comply with AES Standard 48-2005 on interconnecting, grounding and shielding.



DIMENSIONAL INFORMATION

Note: The enclosure is shown without its metal grille.

For more detailed dimensional information, please refer to the 2D and 3D drawing files on our website, www.renkus-heinz.com