



Uncompromising Performance, Unequaled Versatility

Externally-powered CFX218-S subwoofers use advanced technology and application-driven engineering to bring live sound closer to the ultimate reference point: reality.

Cutting edge high-power woofers and large rock-solid enclosures in a classic vented direct radiating design provide the natural uncolored sub bass favored by audio professionals around the world. Wherever audiences and operators demand the ultimate in sub bass performance, CFX218-S subwoofers deliver the emotional impact obtainable only from powerful dual 18 inch subwoofers.

Applications

- Virtually any application where the visceral impact obtainable only from high power 18" subwoofers is required.
- Multi-channel A/V playback systems, live sound and music systems in clubs and discos, performing art centers, theaters, houses of worship, etc.
- High quality speech and music systems, surround sound systems, board room systems, etc.
- A/V rentals, portable sound systems for performing artists and lecturers, small bands, choral groups, etc.

The CFX218-S subwoofer was developed as a companion to other CF and CFX series loudspeakers in high level entertainment applications needing the powerful sub bass punch and physical impact associated with 18-inch subwoofers.

It is equally at home in fixed installations such as performance arts centers installations and in mobile applications where it will be moved on a regular basis.

Its enclosure is ruggedly constructed from multi-ply hardwood to withstand the abuse it will receive in portable application and it is rigidly braced and lined with fiberglass to suppress resonances and rattles, and to assure low distortion high level performance.

It is equipped with handles to assist in moving it around. Tripod sockets on one long side and on one end allow it to be used as a mounting base for associated full range loudspeakers, eliminating the need to carry tripod stands.

Heavy duty 6-inch casters are available as an option for units that will be regularly moved from one location to another.

Dual 18 Inch Subwoofer

CFX218-S Dual 18" Subwoofer



CFX218-S shown in a vertical position with a portion of its heavy metal grille removed for clarity.



CFX218-S shown in a horizontal position without its heavy metal grille; note the handles and tripod socket.

- **Powerful Dual 18-inch Subwoofer**
Provides high-impact, high level sub-bass performance (134 dB peak SPL).
- **High Power, High Performance 18-inch Woofers**
With long throw magnetic structures assure linear cone movement at all power levels.
- **Choice of Finishes**
CFX218-S subwoofers are available in a choice of finishes.

TECHNICAL INFORMATION

Sensitivity: 98 dB (1 W/1m) @ 50 HZ

Max SPL: 134 dB peak

Freq. Response: 32 Hz to 100 Hz

Low Freq. Drivers: Dual model SSL18-10, 18" cone woofer; each 900 W Pgm @ 8 ohms

Power Rating: 1800 W Pgm @ 4 Ohms

Connectors: Looping Neutrik 4-pin Speakon connectors & screw terminals

Enclosure: Multi-ply hardwood, heavily braced; perforated metal grille

Finish: Black or white paint, natural (unfinished), custom colors optional

Hardware: Handles (4), Universal mounting hardware with Metric M10 threads (16), Threaded tripod sockets (2)

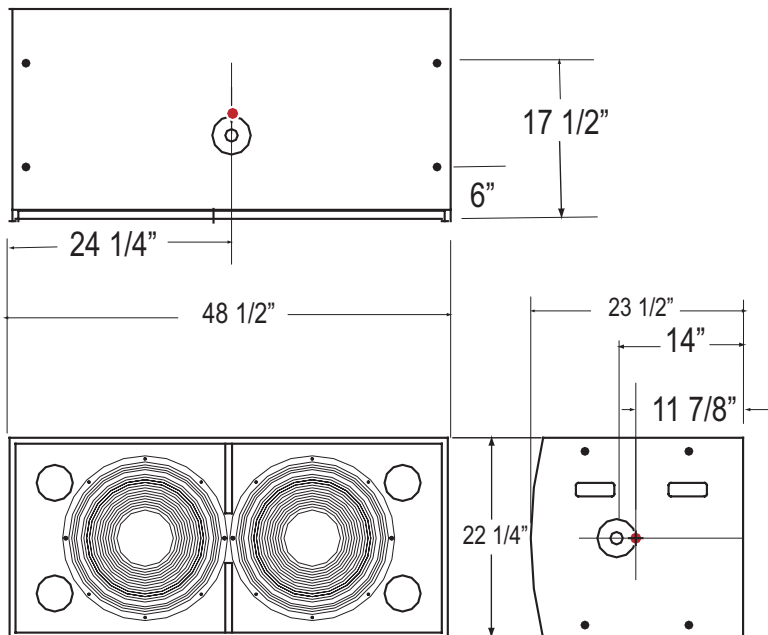
Optional Hardware: Heavy duty casters(4)

Dimensions: 22 1/4" H x 48 1/2" W x 23 1/2" D
616 mm x 1232 mm x 600 mm

Net Weight: 165 Lbs. (75 kg) Net

Note: All analog inputs and outputs comply with AES Standard 48-2005 on interconnecting, grounding and shielding.

DIMENSIONAL INFORMATION



Notes:

UMH (Universal Mounting Hardware) attachment points are standard on all models. The points have Metric M10 threads and are positioned 1 3/4" from the edges unless otherwise indicated.

Heavy duty casters are available as an option.

The enclosure is shown without its metal grille.

● Black spots represent attachment points

● Red spots represent center of gravity location

For more detailed dimensional information, please refer to the 2D and 3D drawing files on our website, www.renkus-heinz.com