



Commanding Performance, Compelling Value

Sound that makes performances and audiences truly come alive doesn't come easy. But CF/CFX Series loudspeakers put the power of unique Renkus-Heinz developments like Complex Conic horns to work for you. Versatile enclosure designs, go-anywhere hardware and rugged construction help solve your sound reinforcement challenges easily and quickly. Advanced options like intelligent onboard amplification and RHAON — the Renkus-Heinz Audio Operations Network — help you build sophisticated sound systems that are easy to use.

Every CF/CFX Series loudspeaker is engineered by Renkus-Heinz to unrivaled standards of quality and innovation. Before we'll ship them, your loudspeakers have to meet our exacting requirements for performance that will make you proud and durability that will keep you sounding great.

Applications

- Developed specifically for in-wall mounting in stair risers and stage lips.
- Ideal for many side and front fill applications; mounts inconspicuously in walls or ceilings, under and over balconies, etc.
- Foreground music systems in shopping malls, retail stores, offices, Etc.

High Performance, High Output, In-Wall Design

The CFX42 was developed specifically for the multitude of applications needing full-size performance from a compact loudspeaker that could be easily mounted in stair treads, walls and ceilings.

It features a 1" high frequency compression driver with a 1" throat coupled to a diffraction slot and dual 4" woofers. The diffraction slot eliminates high frequency beaming and provides wide angle coverage out to 20 kHz and beyond. The dual high-efficiency 4" woofers produce a strong low end. Together, the 1" HF driver and dual 4" woofers deliver a surprisingly high 122 dB peak output level from 300 Hz to 20 kHz.

The compact CFX42 mounts easily between 16" studs (it's only 14 3/8" wide by 5 3/8" high) in stair treads, stage lips, walls and ceilings. Protection against damage is provided by a heavy gauge steel grille.

An optional heavy gauge metal back box is available for applications where building codes require a metal enclosure or the loudspeaker will be installed in concrete.

CF / CFX Series

CFX42

Non-Powered

Dual 4" + 1" HF 2-way Stairstep Loudspeakers



- **High Volume Output, Small Enclosure**
Outstanding, full-range 300 Hz to 20 kHz performance in a space saving "in-wall" design.
- **Wide-Angle 150° by 60° Coverage**
High frequency diffraction slot provides smooth 150° by 60° coverage.
- **1" Extended Range Titanium HF Driver**
Provides smooth, low distortion high frequency performance to 20 kHz and beyond.
- **Dual Heavy-Duty 4" Woofers**
Easily handle 240 Watts of program power.
- **Heavy 18 Gauge Metal Back Box**
Optional 18 gauge metal backbox is "concrete pour" ready.
- **Built-in Crossover**
Eliminates need for a separate electronic crossover and bi-amplification.

TECHNICAL INFORMATION

Sensitivity
CFX42: 95 dB (1W/1m)

Maximum SPL: 122 dB peak

Dispersion: 150° H by 60° V

Freq. Resp: 300 Hz to 20 kHz

HF Driver: 1" Titanium driver, model SDA105-8;
 15 W RMS, 30 W program

LF Drivers: Dual 4", model SSL4-6; 4" Woofers;
 60 W RMS, 120 W program each.

Enclosure: Hardwood with perforated metal grille

Back Box: 18 ga. CRS w/black powder coat.

Power 240 Watts program at 16 Ohms

Connectors Screw terminals & looping 4-pin Neutrik
 Speakon style connectors

Finish: Black or white paint

Dimensions
Enclosure: 5 3/8" H x 16 5/8" W x 9 5/8" D
 (13.7 cm x 42.2 cm x 24.4 cm)

Grille: 5 3/4" H x 17" W x 1/4" D
 14.6 cm x 43.2 cm x .64 cm

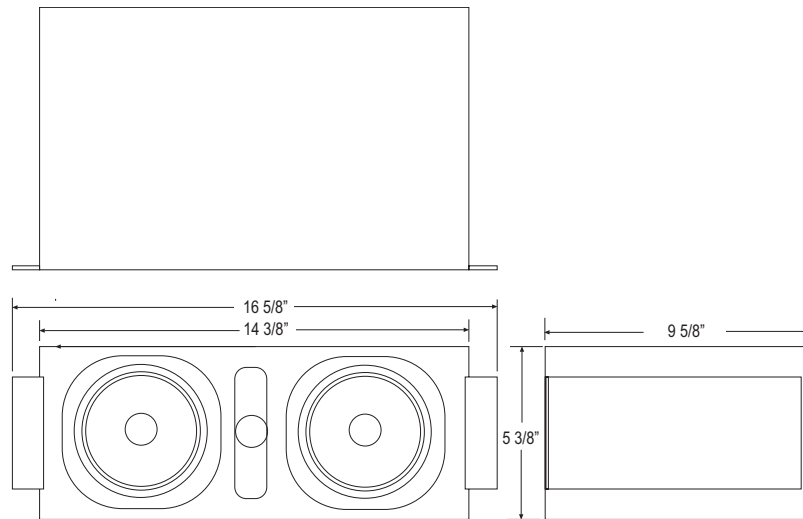
Back Box: 5 5/8" H, x 16 7/8" W x 13 3/16" D
 (14.2 cm x 43 cm x 33.5 cm)

Weight 16.8 Lbs (7.7 Kg) net

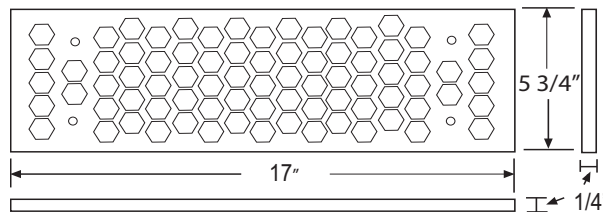
Note: All analog inputs and outputs comply with AES Standard 48-2005 on interconnecting, grounding and shielding.

DIMENSIONAL INFORMATION

Amplifier



Grille



Back Box

