

M4 x 10mm PHILLIPS JOINING

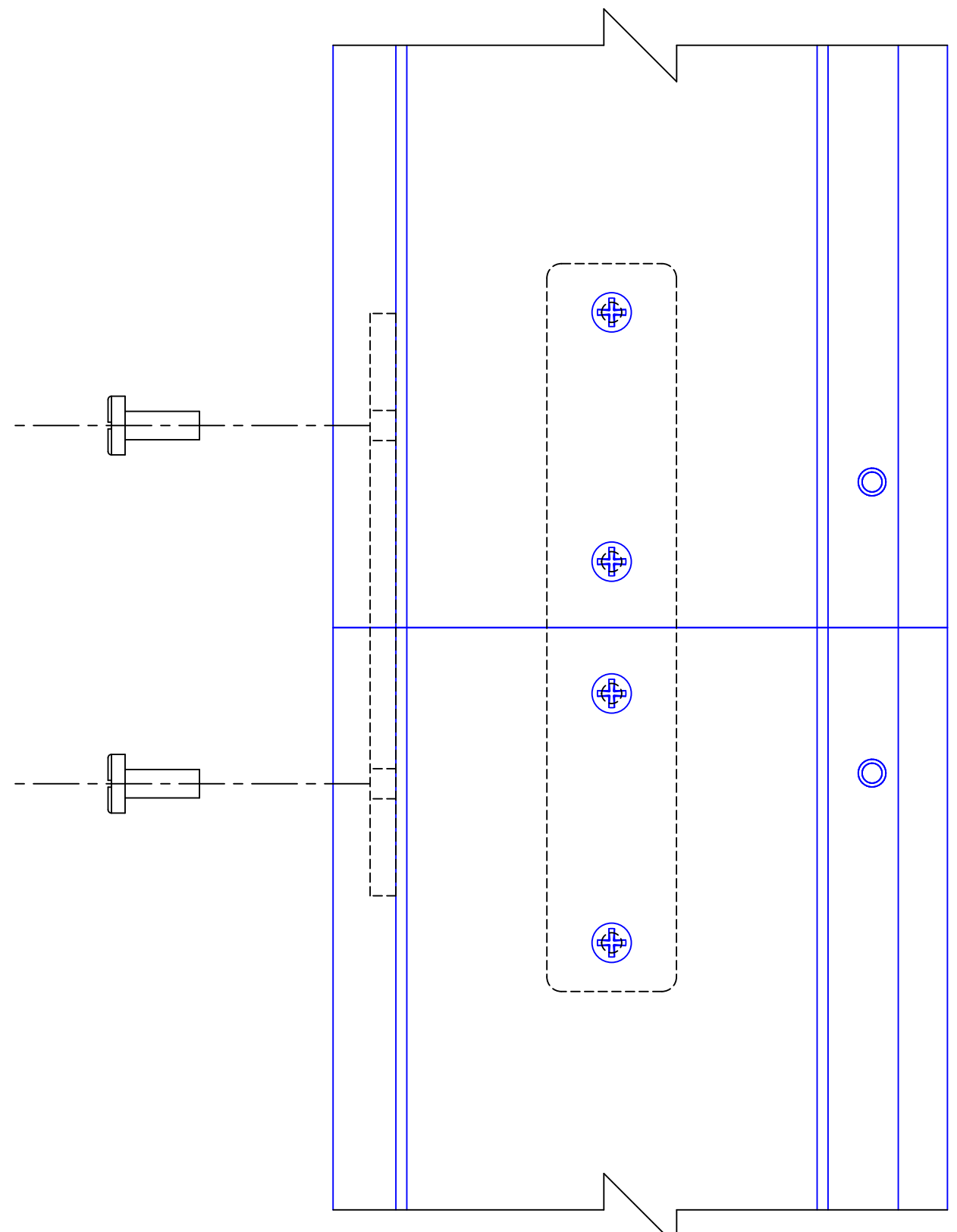
SCREW 4 PLACES

INTERIOR JOINING PLATE, SEE DETAIL B

M4x0.7x4mm SET SCREW  
6 X

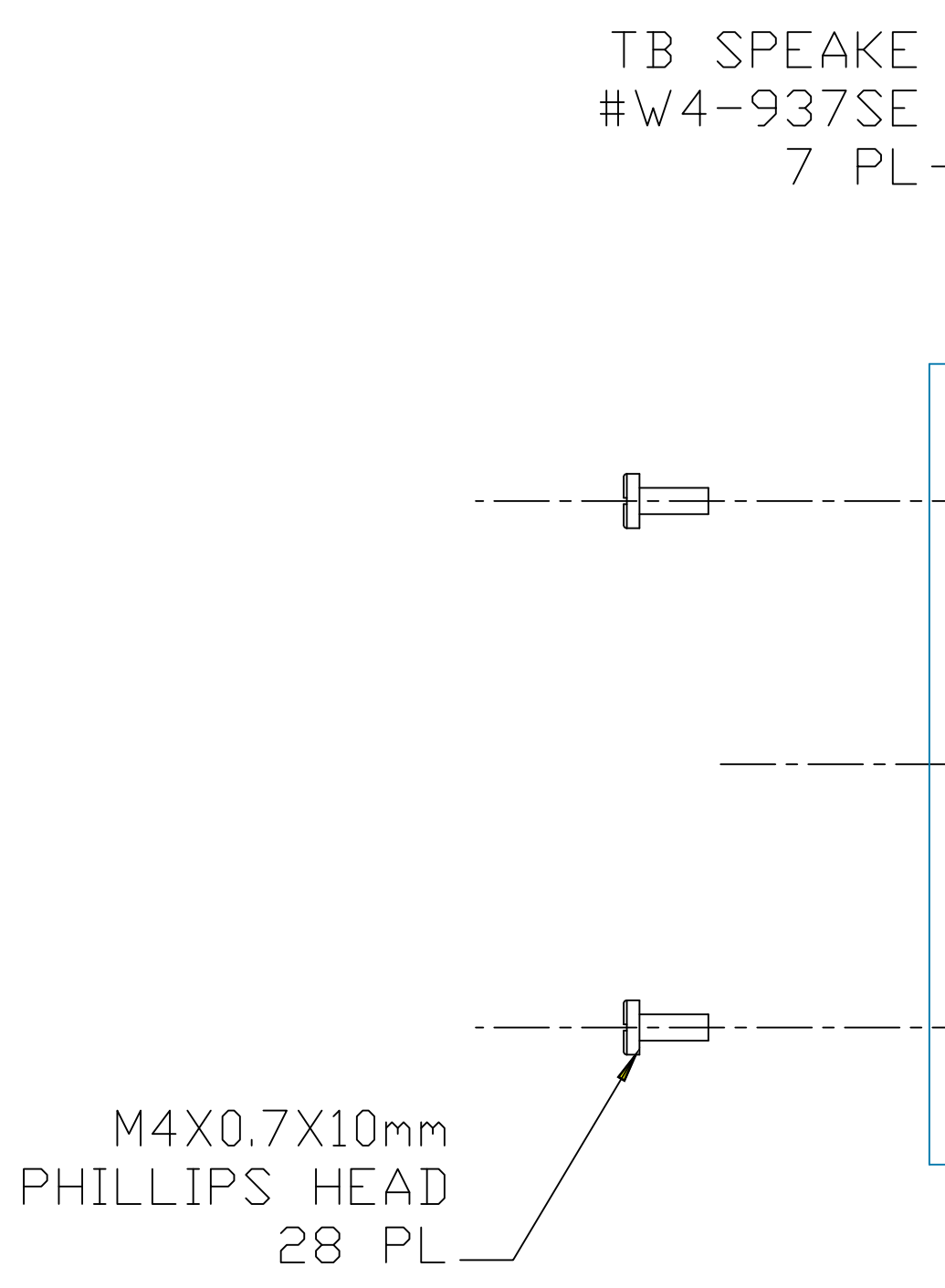
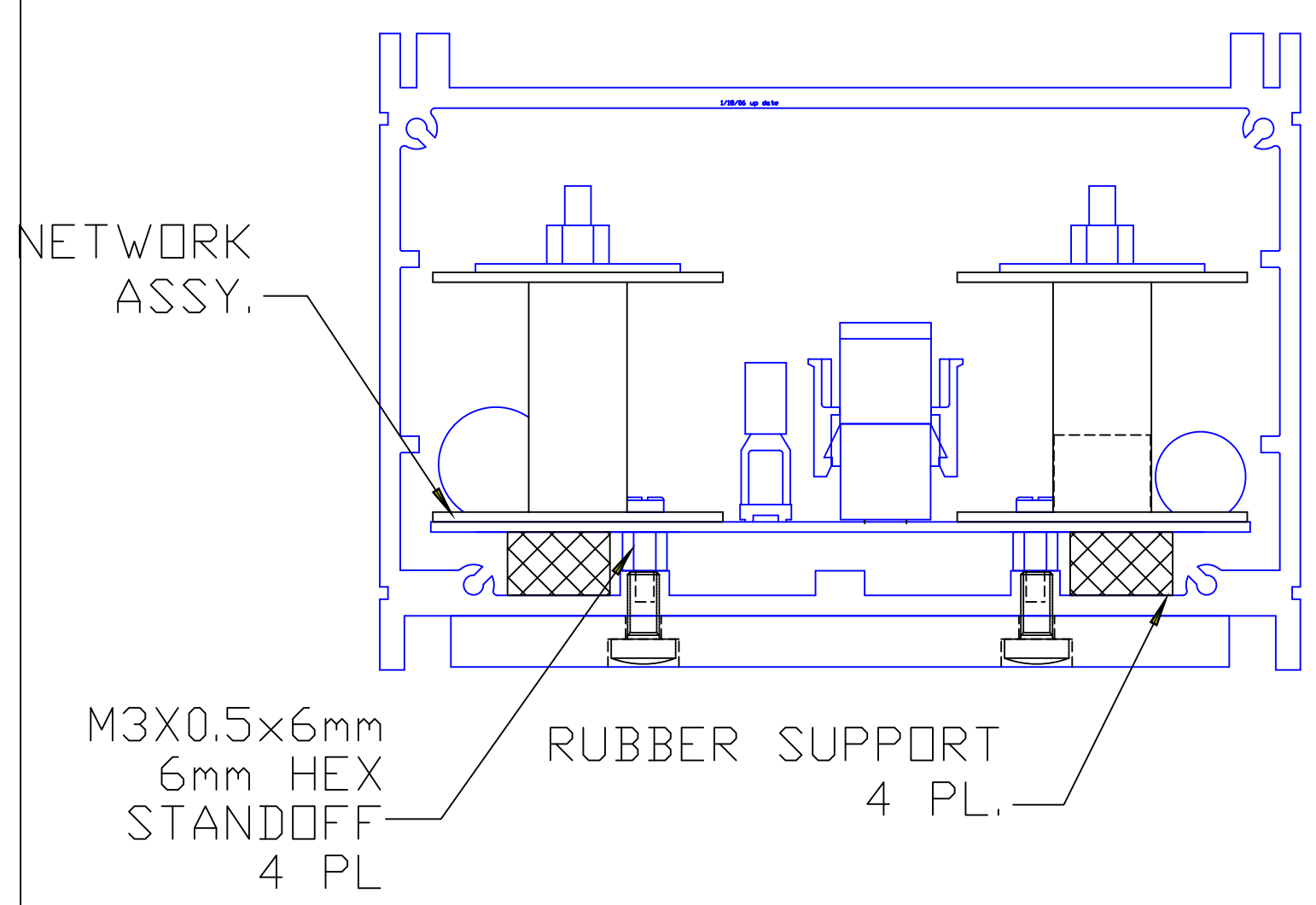
EXTERIOR JOINING PLATE, SEE DETAIL B

DETAIL B



JOINING TO FORM IC-ICX7-II, DUAL

DETAIL A



EXTRUSION  
RENKUS-HEINZ  
#722-IC005

SEE DETAIL VIEW A

SEE DETAIL A

END CAP  
RENKUS-HEINZ  
#622-IC001  
2 PL.

PHILLIPS WASHER HEAD  
SHEET METAL SCREW  
8 PL.

722-IC009 Rev. C  
MOUNTING PLATE

M5X0.8X10mm  
PHILLIPS HEAD  
4 PL

M5X0.8X10mm  
PHILLIPS HEAD  
4 PL

M4X0.7X10mm  
PHILLIPS HEAD  
8 PL

IC7 AMP ASSY.

PART NUMBER LIST

| REV | DESCRIPTION | DATE | BY |
|-----|-------------|------|----|
|     |             |      |    |
|     |             |      |    |
|     |             |      |    |

|   |                      |      |
|---|----------------------|------|
| UNLESS OTHERWISE SPECIFIED<br>DIMENSIONS ARE IN INCHES<br>TOLERANCES ARE: | INTL                 | DATE |
| DECIMALS .XXX±.01   | DRAWN P.R.           | 8/16 |
| ANGLES ±0° 30'  | CHECK                |      |
|   | DESIGN               |      |
|   | ENG                  |      |
|   | APPROV               |      |
|   | APPROV               |      |
|   | REF DWG:             |      |
|   | 722-IC017-ADWG       |      |
| NEXT ASSY. USED ON APPLICATION  | DO NOT SCALE DRAWING |      |

RENKUS-HEINZ, inc.

TITLE:  
IC-ICX7-II ASSEMBLY

|             |            |                   |       |
|-------------|------------|-------------------|-------|
| SIZE D      | CODE IDENT | DWG NO. 722-IC017 | REV A |
| SCALE 1 = 1 | WEIGHT     | SHEET 1 OF 1      |       |

THE MATERIAL CONTAINED HEREIN IS PROPRIETARY TO RENKUS-HEINZ AND SHALL NOT BE REPRODUCED DISCLOSED OR USED FOR ANY OTHER PURPOSE WITHOUT THE WRITTEN APPROVAL OF RENKUS-HEINZ.