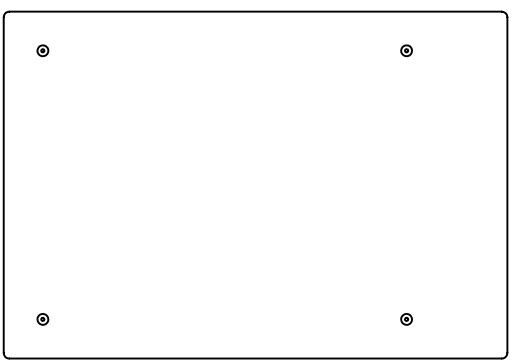
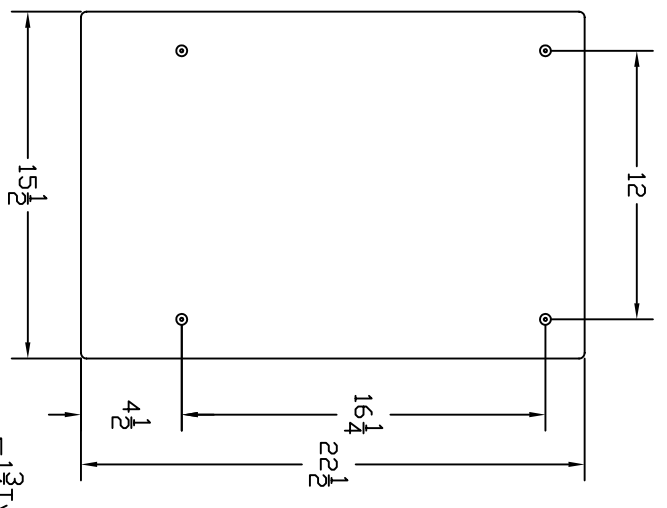
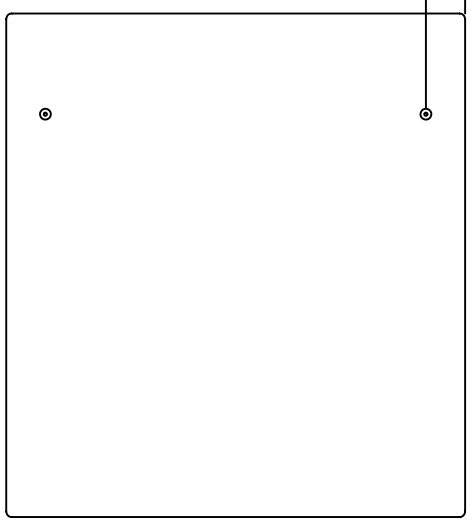
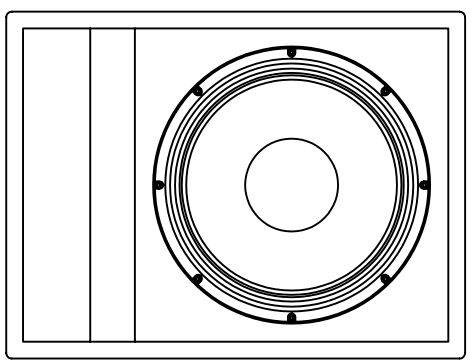
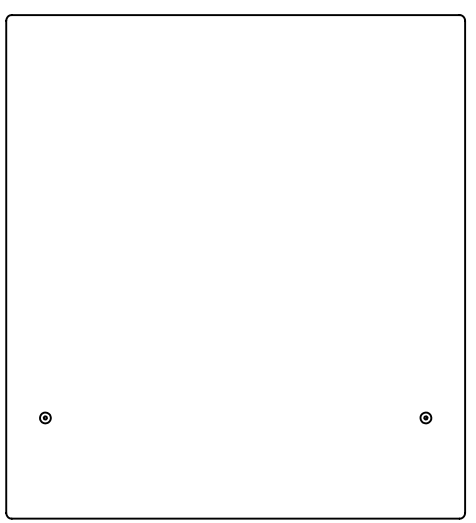
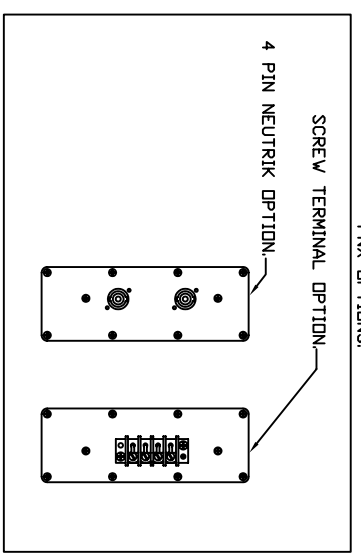


PNX OPTIONS:



PART NUMBER LIST

REV	DESCRIPTION	DATE	BY
A	Released	9/10/03	CD

UNLESS OTHERWISE SPECIFIED DIMENSIONS ARE IN INCHES TOLERANCES ARE:		DATE 8/03	
DECIMALS .005		DRAWN CR	CHECK
ANGLES ±.25°		DESIGN	ENG
APPROV APPROV		REF DVG	PN_PNX112-SUBDWG
NEXT ASSY. APPLICATION		DO NOT SCALE DRAWING	REF DVG PN_PNX121-SUBDWG
TITLE SPEAKER ASSY, PN/PNX112-SUB		SIZE (CODE IDENT)	DWG NO. PN_PNX121-SUBDWG
RENDER AND REMOVE SHARP SCALE 1 = 1		WEIGHT	REV
SHEET 1 OF 1			

THE MATERIAL CONTAINED HEREIN IS PROPRIETARY TO RENKUS-HEINZ AND SHALL NOT BE REPRODUCED, DISCLOSED OR USED FOR ANY OTHER PURPOSE WITHOUT THE WRITTEN APPROVAL OF RENKUS-HEINZ.