

IC7-II & ICX7-II
Mechanically Steerable Line Array



OWNER'S MANUAL



RENKUS-HEINZ

Safety Instructions

Explanation of Graphical Symbols

The lightning flash with arrowhead symbol, within an equilateral triangle, is intended to alert the user to the presence of uninsulated "Dangerous Voltage" within the product's enclosure that may be of sufficient magnitude to constitute a risk of electric shock to humans.

The exclamation point, within an equilateral triangle, indicates the presence of important operating and maintenance (servicing) instructions in the literature accompanying the product.

Erklärung der graphischen Symbole

Der Blitz mit nach untenzielendem Pfeil in einem gleichseitigen Dreieck weist den Benutzer auf das Vorhandensein einer unisolierten, "gefährlichen Spannung" im Gehäuse hin, die stark genug sein kann, einer Person einen gefährlichen elektrischen Schlag zu versetzen.

Das Ausrufezeichen in einem gleichseitigen Dreieck weist den Benutzer auf wichtige Betriebs- und Wartungsvorschriften in den beiliegenden Unterlagen des Gerätes hin.

1. Read these instructions.

2. Keep these Instructions.

3. Heed all warnings.

4. Follow all instructions.

5. Do not use this apparatus near water.

6. Clean only with dry cloth.

6. Do not block any ventilation openings. Install in accordance with the manufacturer's instructions

7. Do not install near any heat sources such as radiators, heat registers, stoves, or other apparatus (including amplifiers) that produce heat.

8. Do not defeat the safety purpose of the polarized or grounding-type plug. A polarized plug has two blades with one wider than the other. A grounding type plug has two blades and a third grounding prong. The wide blade or the third prong is provided for your safety. If the provided plug does not fit into your outlet, consult an electrician for replacement of the obsolete outlet.

8. Protect the power cord from being walked on or pinched particularly at plugs, convenience receptacles, and the point where they exit from the apparatus.

9. Make sure the power cord remains readily accessible at all times.

10. Only use attachments/accessories specified by the manufacturer.

11. Unplug this apparatus during lightning storms or when unused for long periods of time.

12. Refer all servicing to qualified service personnel. Servicing is required when the apparatus has been damaged in any way, such as power-supply cord or plug damage, liquid has been spilled or objects have fallen into the apparatus, the apparatus has been exposed to rain or moisture, does not operate normally, or has been dropped.

13. The apparatus shall not be exposed to dripping or splashing and no objects filled with liquids, such as vases or similar items, shall be placed on the apparatus.

CAUTION

**RISK OF ELECTRONIC SHOCK:
OPEN ONLY IF QUALIFIED AS
SERVICE PERSONNEL**

To reiterate the above warnings: servicing instructions are for use by qualified personnel only. To avoid electric shock, do not perform any servicing other than that contained in the Operation Instructions unless you are qualified to do so. Refer all servicing to qualified personnel.

VORSICHT

**GEFAHR EINES ELEKTRISCHEN SCHLAGES:
NUR VON QUALIFIZIEREM WARTUNGSPERSONAL
ZU ÖFFNEN**

Eindringliche Warnung: Wartungsvorschriften dienen nur der Benutzung durch qualifiziertes Personal. Zur Vermeidung eines elektrischen Schlages keine anderen als die in den Betriebsvorschriften beschriebenen Wartungsarbeiten ausführen, es sei denn Sie sind dafür qualifiziert. Wartungsarbeiten auszuführen.

WARNING
TO REDUCE THE RISK OF FIRE OR ELECTRICAL SHOCK, DO NOT EXPOSE THIS APPARATUS TO RAIN OR MOISTURE

The AC mains must be connected to a mains socket outlet with a protective earthing connection.

To remove power from the IC7 column loudspeaker, disconnect the AC power cord.

Introduction

Congratulations On your purchase of an Iconyx IC7-II self powered or ICX7-II externally powered loudspeaker array It was designed to give you years of trouble free listening pleasure. We hope you enjoy it.

Your Loudspeaker system was carefully tested and inspected before leaving our factory and should have arrived in perfect condition. Please inspect it and its shipping carton for any noticeable damage and if any damage is found, immediately notify the shipping company. Only you, the consignee, may institute a claim with the carrier for damage done during shipment. Be sure to save all shipping cartons and material for the carrier's inspection.

Wall Mounting Instructions

WARNING: THIS APPARATUS MUST BE SECURELY ATTACHED TO A WALL IN ACCORDANCE WITH THESE INSTRUCTIONS. FAILURE TO DO SO MAY RESULT IN INJURY.

Do not stand the loudspeaker upright or lay it on its side on the floor.

To ensure proper air movement for the cooling of the amplifier module, we recommend a minimum of 2 to 3 feet of clearance in front of the loudspeaker and 3 to 4 inches of clearance from the other cabinet surfaces.

Mounting loudspeakers is a task for experienced professionals. Improperly installed loudspeakers can result in property damage, personal injury, death and /or liability for the installer.

These instructions assume that the installer will exercise good judgement in selecting the mounting area and hardware. If you have any doubts about the integrity of the mounting structure or are not sure about the proper hardware to use, consult a structural and or hardware specialist.

This loudspeaker is intended to be securely mounted using EEM-W-WALL-IC7-II and is not intended to be free-standing.

This mounting instruction supersedes mounting instructions provided with the MultiMount universal mounting kit.

This loudspeaker has not been evaluated for safety requirements using other mounting kits.

The EEM-W-WALL-IC7-II comes fully assembled and includes the following components.

- 1 - Wall Mounting Plate
- 2 - Loudspeaker Brackets
- 1 - Swivel Adapter

Tools Required

- Drill
- Mounting hardware appropriate for the wall
- Metric Socket Set or Wrench Set

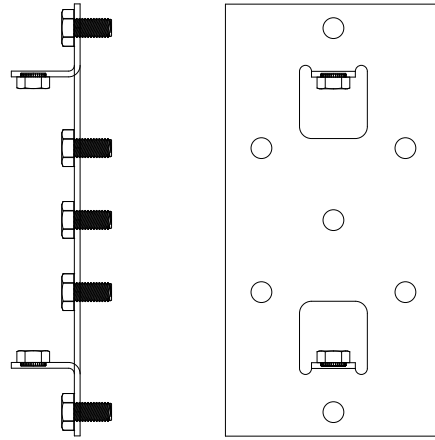
MOUNTING NOTE

To ensure proper air movement for the cooling of the amplifier module, we recommend a minimum of 2 to 3 feet of clearance in front.

Step 1

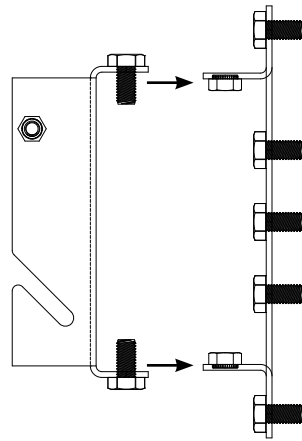
Remove the Loudspeaker Brackets from the Swivel Adapter and attach the wall mounting plate to the wall using at least three holes in the plate and the appropriate mounting hardware for the wall type. If in doubt of the correct mounting hardware, consult a hardware specialist.

Optional: It may be necessary to remove the Swivel Adapter from the Wall Plate to access the mounting hardware.



Step 2 (Optional)

Re-attach the Swivel Adapter to the Wall Plate using the bolts and washers, if removed in Step 1. Adjust to the desired angle and tighten. This can be adjusted between 90 and 33 degrees to the wall.

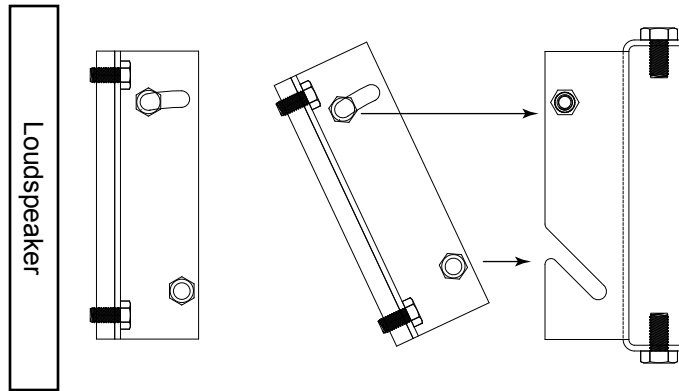


Step 3

Attach the Loudspeaker Plate to the appropriate mounting holes on the rear of the loudspeaker using the bolts already present on the loudspeaker.

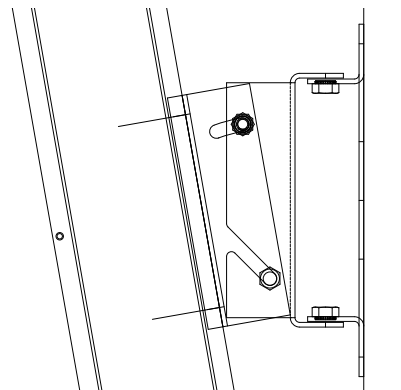
Step 4

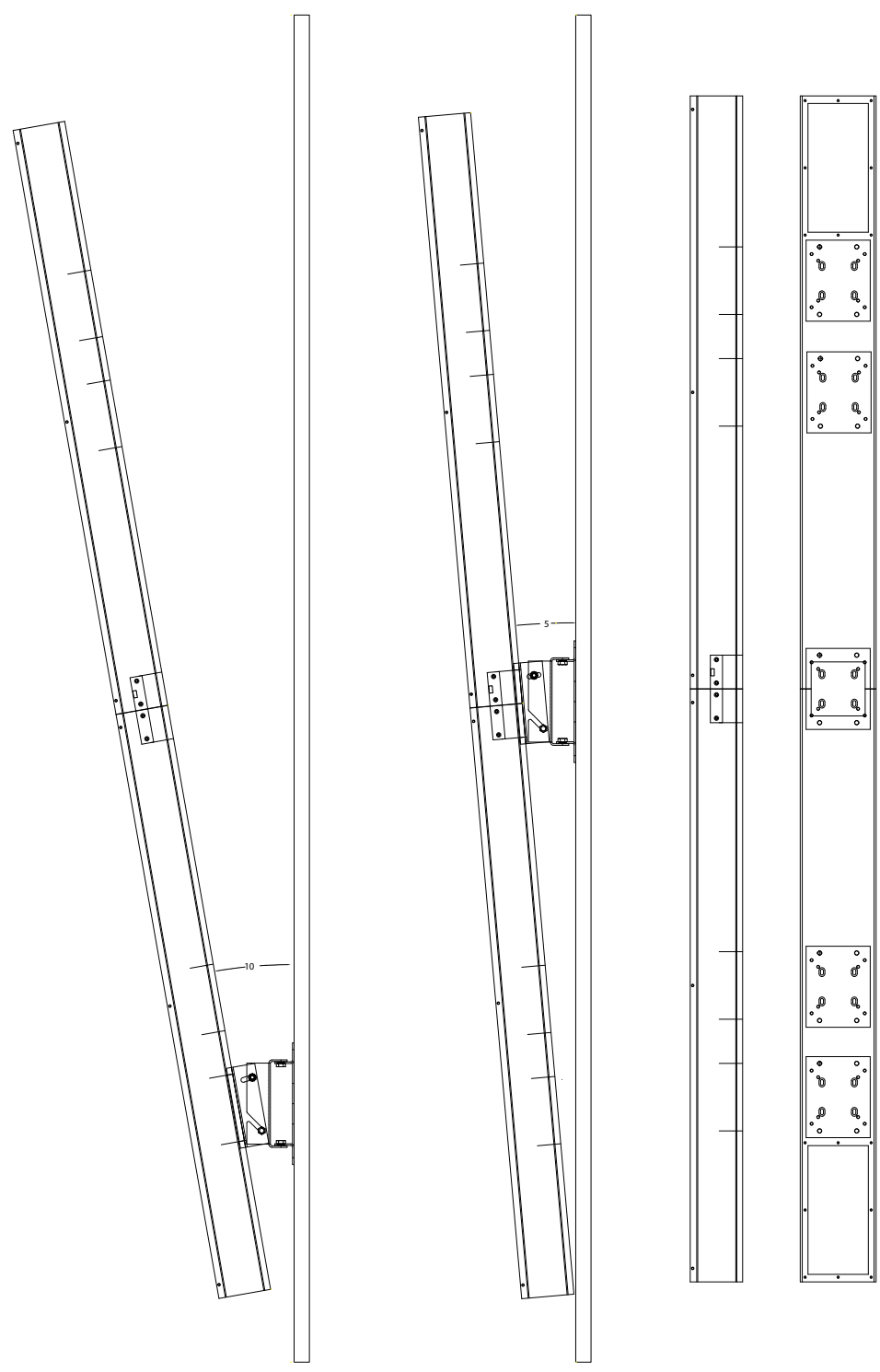
With the Bottom Hinge Bolt installed in the bottom hole of the Loudspeaker Plate, set the bolt into the Bottom Hinge Slot of the Swivel Adapter.



Step 5

Install the two Retaining Slot bolts through the top hole of the Swivel Adapter and top slot of the Loudspeaker Adapter. Adjust to the desired angle and tighten. Tighten the Bottom Hinge Bolt.





When installed on a wall, the loudspeaker can be angled between 0 and 10 degrees to the wall. The above illustration shows points where the Loudspeaker Plate can be mounted and examples of 10 and 5 degree angles.

Rear Panel



XLR Inputs

Phoenix Inputs

Power LED
 Signal Present LED
 Limiter LED
 Attenuation Control
 Note: The Power, Signal Present & Limiter LEDs and the Attenuation Control are located to the left of the Phoenix connector, and can't be seen in photo

Power Switch
 Reset Button
 AC Power Input

XLR Inputs

The female 3-pin XLR type INPUT connector connects to the amplifier's 10 K Ohms, electronically balanced input. It requires a 1 V signal for full rated output. The male 3-pin XLR type looping connector is used to loop through to additional self-powered loudspeaker amplifiers. It has straight through connections from the Input connector.

Pin 2 is hot and pin 3 is neutral. Pin 1 is chassis ground. When the amplifier is connected to a balanced source, the shield may either be lifted or connected at the source end. The choice should be made on the basis of minimum hum.

With an unbalanced source, connect the signal to pin 2 and source ground to pin 3. Connecting the signal to pin 3 is not recommended. **Note: Improper operation results when only pin 2 or only pin 3 and pin 1 (ground) are used for an unbalanced input.**

Phoenix Inputs

The Phoenix Input/Output connector provides an alternate means of bringing audio into the loudspeaker's amplifier and looping through to additional amplifiers.

Power LED

The Power LED indicates the status of the amplifier's power. It turns bright green when the amplifier is turned "on". It takes a few seconds for the LED to reach full brilliance when the amplifier is first turned on. This is normal.

Signal Present LED

The Signal Present LED flashes to show the presence of an audio signal at any input.

Limiters LED

The Limiter LED flashes whenever the signal level triggers the amplifier's protective limiter.

Occasional flashing indicates optimal operation. **Note: continuous illumination indicates the system is being over driven and input level should be reduced to avoid overheating.**

Attenuation Control

This control adjusts the loudspeaker's output level. When it is turned fully clockwise, the amplifier will have its maximum voltage gain and will deliver its rated output when driven by its rated signal.

As a general rule, setting the control in the full clockwise position provides maximum headroom; setting the control at a lower level maximizes the signal/noise level.

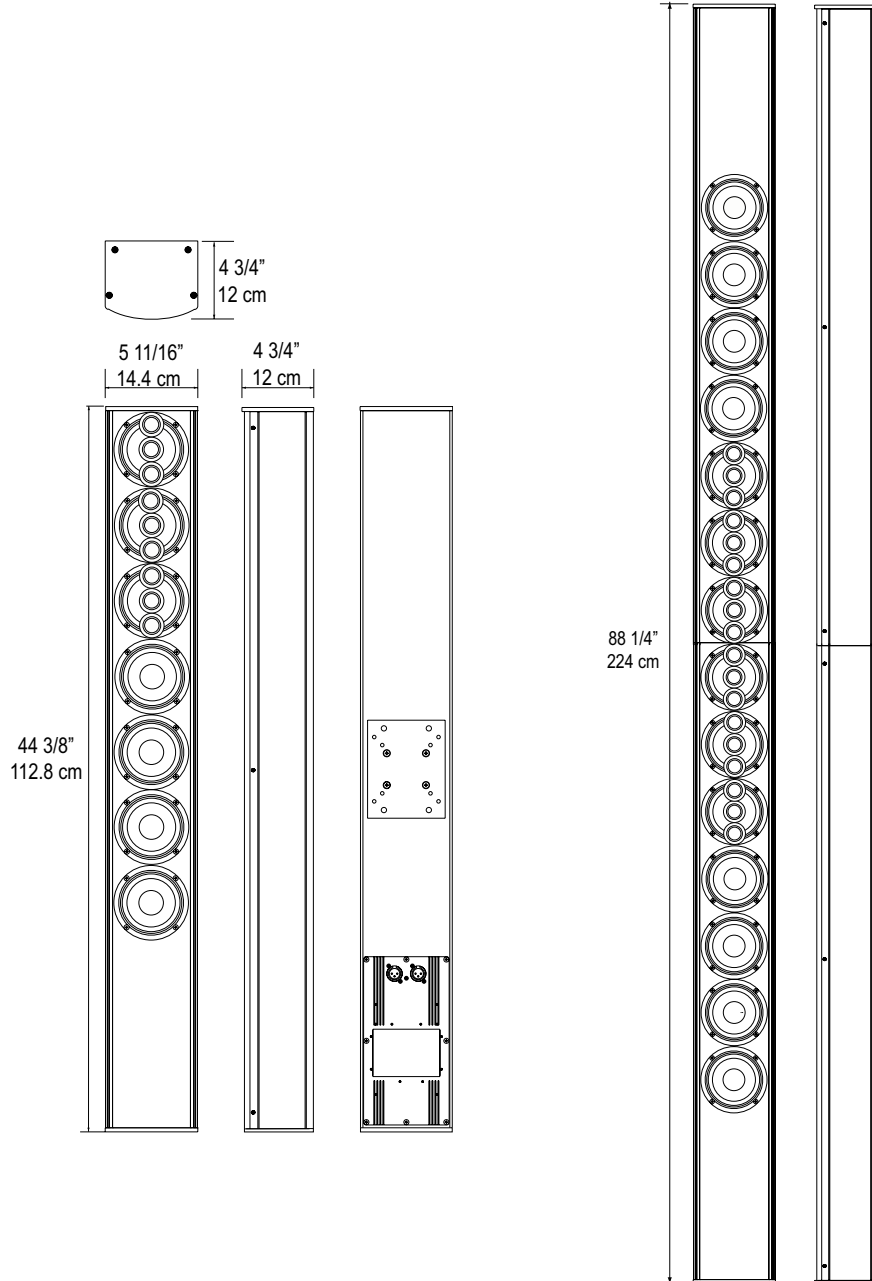
Power Switch

This switch is used to turn the amplifier On or Off.

Reset Button

The Push To Reset button is a circuit breaker that acts as a protective power line fuse and automatically turns amplifier off in case of overload or electrical fault. If it shuts off during normal use, push it back to the On position just one time. **Note: Do not attempt to operate the amplifier by holding the switch in the On position. If it will not stay on by itself, the amplifier needs service.**

Dimensional Information



19201 Cook Street, Foothill Ranch, CA 92610-3501, USA
Phone: +1 949-588-9997 Fax: +1- 949 588 9514
sales@renkus-heinz.com www.renkus-heinz.com