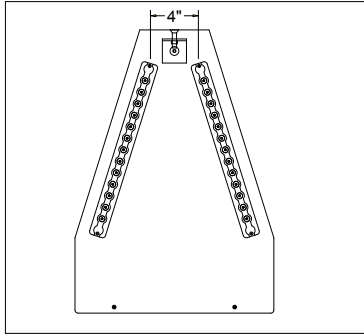
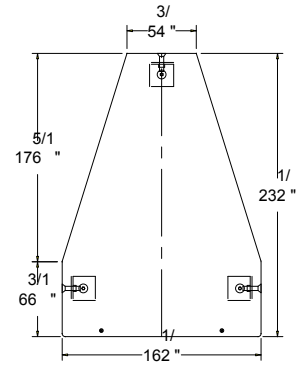
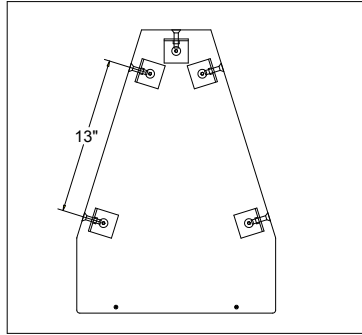


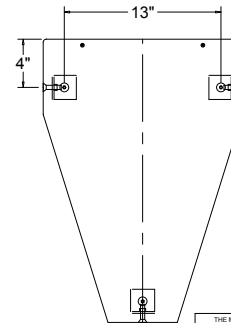
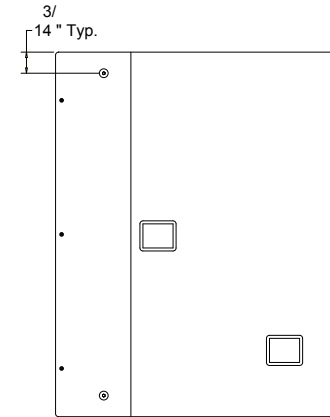
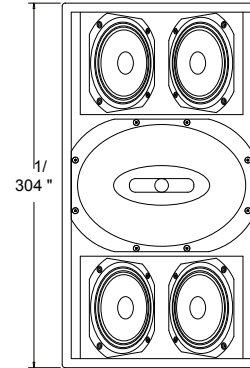
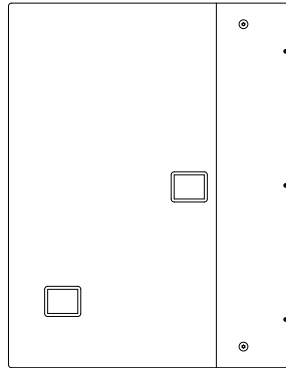
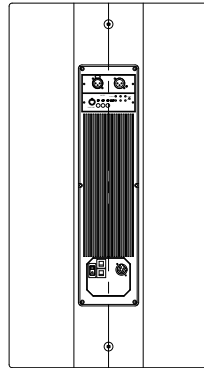
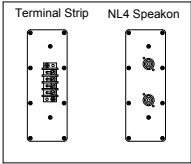
Fly-Track Option



R-Hang Option



STX Options



Notes:
Attachment point locations are approximate. Design attachment plates with slotted holes for

DRAWING APPLIES TO
STX444, STX484, STX494, ST444, ST484, ST494

REV	DESCRIPTION	DATE	BY

UNLESS OTHERWISE SPECIFIED		INTL.	DATE
DIMENSIONS ARE IN INCHES		DRAWN	C.R.
TOLERANCES ARE		CHEK	TSD
DECIMALS	ANGLES	DESIGN	
.XX	±30'	ENG	
.XXX		APPROV	
.005		APPROV	
		REF DWG	

		TITLE: Speaker Assembly STX4, ST4	SIZE	CODE IDENT	DWG NO.	REV
			C			A

THE MATERIAL CONTAINED HEREIN IS PROPRIETARY TO RENKUS-HEINZ AND SHALL NOT BE REPRODUCED, DISCLOSED, OR USED FOR ANY OTHER PURPOSE WITHOUT THE WRITTEN APPROVAL OF RENKUS-HEINZ

ST4_STX4	SCALE	1 = 10	WEIGHT		SHEET	1 OF 1