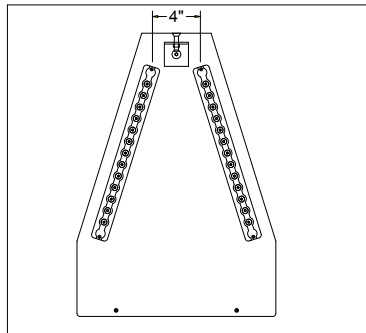
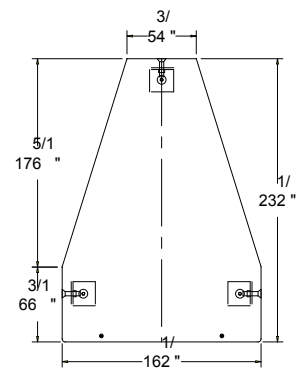
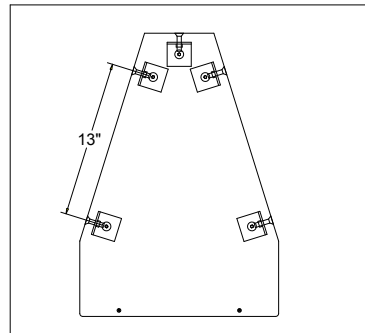


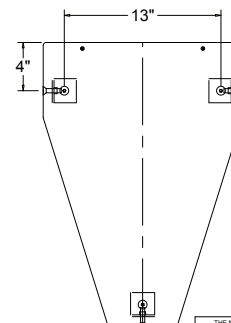
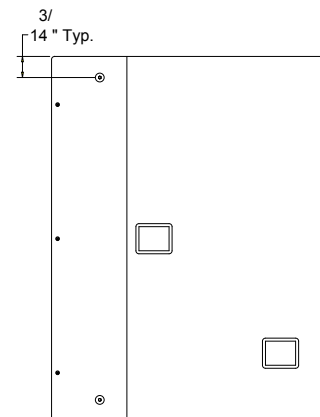
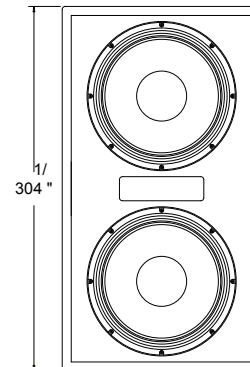
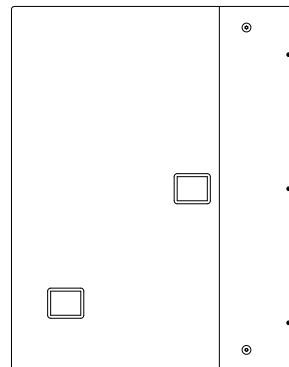
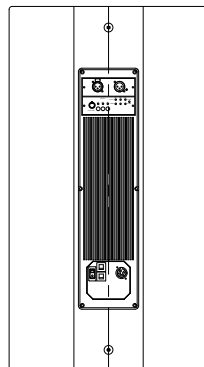
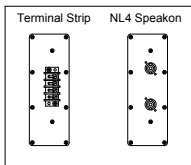
Fly-Track Option



R-Hang Option



STX Options



Notes:  
Attachment point locations are approximate. Design attachment plates with slotted holes for

DRAWING APPLIES TO  
STX4L, ST4L

REV	DESCRIPTION	DATE	BY

UNLESS OTHERWISE SPECIFIED	INTL.	DATE
DIMENSIONS ARE IN INCHES	DRAWN C.R.	T04
TOLERANCES ARE	CHECK	
DECIMALS	DESIGN	
300 ±0.1	ENG	
FRACTIONS	APPROV	
	APPROV	
	REF DWG	
NEXT ASSY: USED ON		
APPLICATION		

THE MATERIAL CONTAINED HEREIN IS PROPRIETARY TO RENKUS-HEINZ AND SHALL NOT BE REPRODUCED, DISCLOSED, OR USED FOR ANY OTHER PURPOSE WITHOUT THE WRITTEN APPROVAL OF RENKUS-HEINZ.

RENKUS-HEINZ, inc.		REV
TITLE: Speaker Assembly		A
STX4L, ST4L		
SIZE	CODE IDENT	DWG NO.
C		NOT RELEASED
SCALE	1 = 10	WEIGHT
		SHEET 1 OF 1