

Uncompromised Performance - Unequaled Versatility

The self-powered PowerNet ST6MR and non-powered STX6M Series loudspeaker modules unite advanced technology and application-driven engineering to bring live sound closer to the ultimate reference point: reality. Patented CoEntrant M/H transducers, Class D Digital Amplification and unique innovations such as our Complex Conic horns combine to deliver natural sounding music and intelligible speech. Wherever audiences and operators demand superior performance and ease of use, ST/STX loudspeakers are the choice for transparent, reference quality performance.

All ST6MR PowerNet loudspeakers are RHAON empowered for flexible analog and digital signal distribution and loudspeaker management and control over a standard Ethernet network.

Applications

- Virtually any application where directional control and arrayability are critical issues and outstanding sonic performance is required.
- Distributed systems in sports arenas and stadiums.
- Multi-channel A/V playback systems, live sound and music systems in clubs and disco's (with low frequency cabinets).
- Side fill in all types of large sound reinforcement systems.
- Array modules for theatrical and concert sound systems.
- sound reinforcement systems in houses of worship.



PM-2R PowerNet Bi-Amplifier

Passive or self-powered and networked, you can choose the system configuration that meets your needs. Select the STX6M when the project dictates the use of external amplifiers and the self-powered PowerNet ST6MR for convenience and control in other applications.

The PM-2R, the heart of the PowerNet ST6MR is a new kind of intelligent electronic system. It combines Class D digital tri-amplification with RHAON, the Renkus-Heinz Audio Operations Network for comprehensive DSP controlled signal processing and control.

RHAON EMPOWERED RHAON empowers you with CobraNet digital audio distribution, user configurable DSP for maximum control, remote systems management from any Windows computer, life safety functions and more – all using standard Ethernet hardware and cable.

The PM-2R has dual analog inputs, dual CobraNet inputs and an AES3 serial input. The onboard DSP is easily configured using RHAON software; it includes eight bands of parametric EQ, high and low shelving filters, delay and input level control. Critical operating parameters such as signal clipping, amplifier output voltage and current, and temperature are continually monitored with automatic alert functions.

ST / STX Series

STX6M

Non-Powered

ST6MR

Powered

2-Way CoEntrant M/H Driver Complex Conic Loudspeaker Modules

PASSIVE : POWERED : NETWORKED



- **Compact 2-Way Design, Outstanding Performance**
Accurate full-range 500 Hz to 18 kHz high-level performance; 131 dB Peak SPL.
- **Flexible Input Configurations**
Choose passive inputs, or go self-powered with the PM-2R Power Net Bi-Amplifier with RHAON for flexible analog and multi-channel digital signal distribution, computer control and supervision.
- **Built-In Mid/High Crossover in STX6M**
Eliminates need for bi-amping.
- **Exclusive Complex Conic Design**
Provides constant beamwidth/directivity without the problems of conventional rectangular horns.
- **Patented CoEntrant Topology**
Integrates the acoustic output of an 8" cone and a 1" HF driver into a wideband, high power true point source.
- **TRAP (True Array Principle) Design**
ST6M/44R and STX6M/44 Models are true 40° TRAP modules that combine seamlessly to produce a phase aligned wavefront virtually free of lobing. The /64 and /94 models can be turned into TRAP modules by rotating their horn 90 degrees.
- **Choice of Coverage Patterns**
Choose between tightly controlled 60° by 40°, 90° by 40° and 40° by 40° coverage patterns.

TECHNICAL INFORMATION

Sensitivity
ST6MR: 1.4 V for rated power output
STX6M (1W/1m): MF – 101 dB, HF – 109 dB

Max Peak SPL	ST	STX
	MF: 129 dB	130 dB
	HF: 131 dB	131 dB

Dispersion:
ST6M/44R & STX6M/44: 40° H by 40° V
ST6M/64R & STX6M/64: 60° H by 40° V
ST6/94R & STX6/94: 90° H by 40° V

Freq. Response: 500 Hz to 18 kHz

Mid/High Drivers: CDT-1L: SSD1802S-8B 1" HF (40 W RMS) &
 SSL8-9 8" MF (150 W RMS)

PWR Rating (Watts):
Mids: 425 RMS
Highs: 175 RMS

Freq. Response: +0.0, -5 dB, 20 Hz to 20 kHz
THD Distortion: < 0.01 % typical

CMR: > 90 dB, 30 Hz to 2 kHz
Hum & Noise: <100 dB, 20 Hz to 20 kHz)

Input Sensitivity: 1.4 V for RPO

Damping Factor: 135 (100 Hz to 400 Hz)
 100 (400 Hz and above)

Power:
Connector PowerCon locking connector

Requirements: 90/136 V AC or 180/260 VAC, 50/60 Hz
 3.2 Amps @ 120 V, 1.6 Amps @ 240 V

Idle Current: 130 mA @ 120 V, 65 mA @ 240 V

Max Inrush
Current (Soft Start): 4.9 Amps @ 120 V, 2.5 A @ 240 V

Crossover Points: 500 Hz & 1500 Hz
Power: STX6M: Mid/Highs: 150 Watts RMS at 8 Ohms

Enclosure: Multi-ply hardwood, perforated metal grille

Connectors: STX6M: Neutrik 4-pin connectors or screw terminals

Finish: Black, white or custom paint, TuffTex,
 Natural (unfinished), Weather resistant

Hardware Options: 12-point universal mtg hardware, Handles,
 AeroQuip fly-track, R-Hang hardware

Dimensions: 24" H x 24" W x 32 1/4" D
 (61 cm x 61 cm x 81.9 cm)

Weight
ST6R: 150 Lbs. (68 Kg) net
STX6: 120 Lbs (54.4 Kg) net

PM-2R AMPLIFIER

Inputs

Analog: Dual inputs; looping XLR (female in & Male out)
 & Looping Phoenix connectors

CobraNet: Dual RJ 45 connectors (for redundancy)

AES3 Format: AES3 Format Serial Audio (AES/EBU input);
 Phoenix connector

Controls: MF, HF Mute buttons
 Up & Down Output Level push buttons
 10 dB Input pad (on Analog 1 input)
 Power On/Off, Push-To-Reset circuit breaker

Computer Controls: Gain, Mute, On/Standby, Input Selection;
 Compression, 9-Band Parametric EQ, Shelving
 & Rolloff Filters, Delay

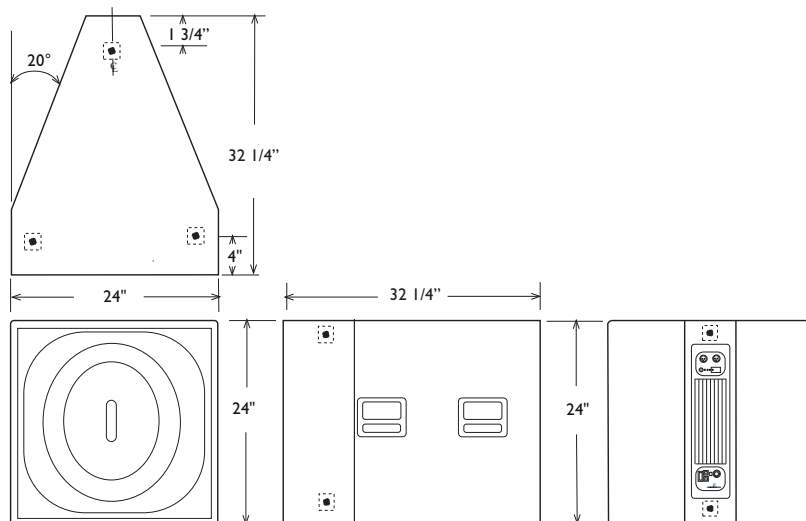
Status Indicators: Power, Signal, Overdrive, Thermal, Mute,
 Input Pad

Protection: Soft & Peak Limiting, Excursion Control &
 Thermal Regulation

Digital Format: 16, 20 or 24 bit PCM; 48 or 96 kHz sample rate;
 selectable Network Latency

Note: All analog inputs and outputs comply with AES Standard 48-2005 on interconnecting, grounding and shielding.

DIMENSIONAL INFORMATION



Note:

The UMH (Universal Mounting Hardware) attachment points have Metric M10 threads and are positioned 1 3/4" from the edges unless otherwise indicated.

Portable models are normally supplied with handle and no attachment points.

The rear view of a ST6MR is shown. The enclosure is shown without its metal grille.

For more detailed dimensional information, please refer to the 2D and 3D drawing files on our website, www.renkus-heinz.com.