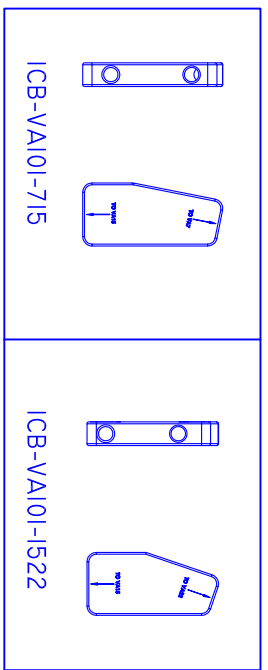
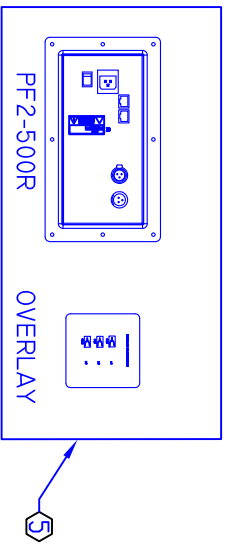


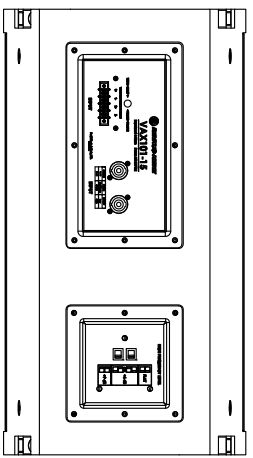
SCALE 2:1



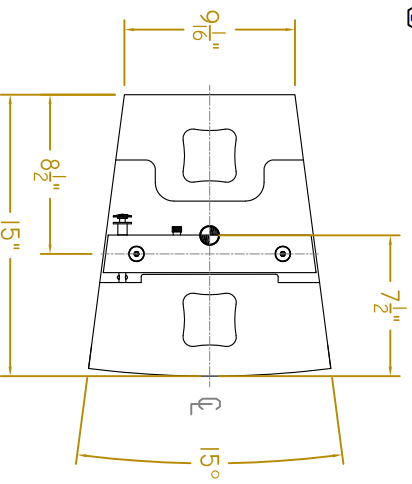
OPTIONAL INTERNAL AMPLIFIER



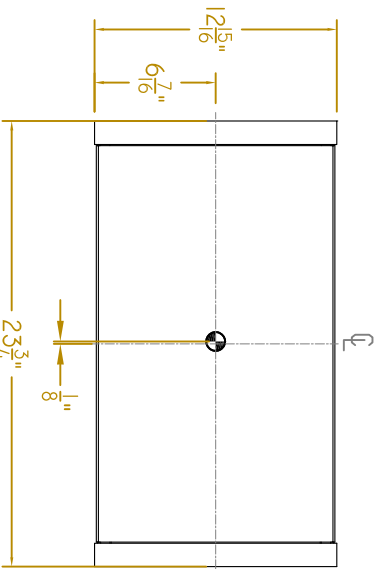
REAR VIEW



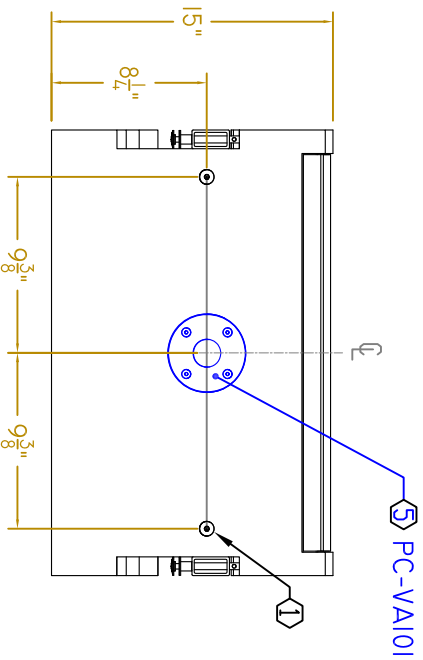
SIDE VIEW



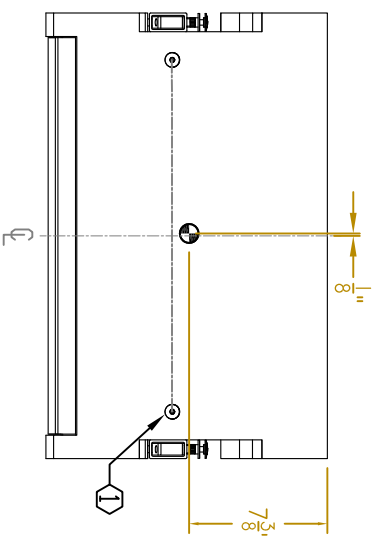
FRONT VIEW



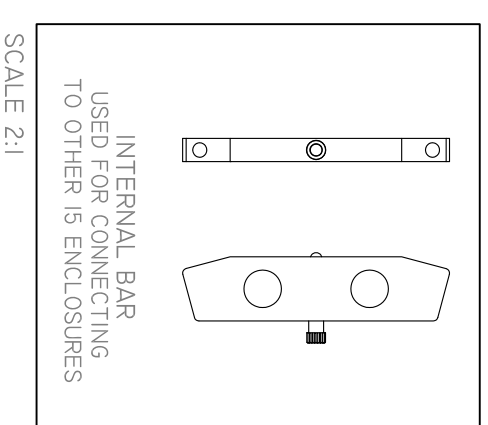
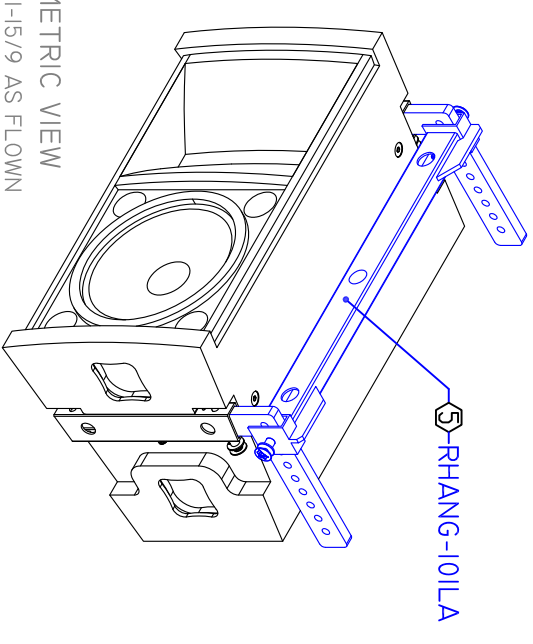
BOTTOM VIEW



TOP VIEW



ISOMETRIC VIEW
VAX101-15/9 AS FLOWN
GRILL OMITTED FOR CLARITY



SCALE 2:1

NOTES:

- 1) SUSPENSION POINTS: M10 THREADED SUSPENSION POINTS 2X TOP, 2X BOTTOM
- 2) WEIGHT: 67.5 LBS
- 3) CENTER OF GRAVITY
- 4) ATTACHMENT POINTS ARE APPROXIMATE. DESIGN ATTACHMENT PLATES WITH SLOTS FOR ADJUSTABILITY.
- 5) OPTIONAL.

METRIC DIMS AVAILABLE BY LAYER CHOICE

WARNING! HANGING LOUDSPEAKERS IS A SERIOUS UNDERTAKING THAT SHOULD BE DONE ONLY BY QUALIFIED AND EXPERIENCED PERSONNEL. CHECK WITH AN ARCHITECT OR STRUCTURAL ENGINEER TO VERIFY ANY BUILDING ATTACHMENT POINTS. RENKUS-HEINZ IS NOT RESPONSIBLE FOR ANY NON-RENKUS-HEINZ PRODUCTS OR FOR ANY MISUSE OF RENKUS-HEINZ PRODUCTS.

THE MATERIAL CONTAINED HEREIN IS PROPRIETARY TO RENKUS-HEINZ AND SHALL NOT BE REPRODUCED, DISCLOSED OR USED FOR ANY OTHER PURPOSE WITHOUT THE WRITTEN APPROVAL OF RENKUS-HEINZ.

REV	DESCRIPTION	DATE	BY

UNLESS OTHERWISE SPECIFIED DIMENSIONS ARE IN INCHES	ANGLES 30°	DRAWN	DATE
VAX101-15/6	VA101-15/6-52R	ENG	01/18/2013
VAX101-15/69	VA101-15/69-52R	APPROV	
VAX101-15/9	VA101-15/9-52R	APPROV	
VAX101-15/912	VA101-15/912-52R	REF DWG	
VAX101-15/12	VA101-15/12-52R	VA101-15-ADWG	
NEXT ASSY.	USED ON	DD NOT SCALE DRAWING	
APPLICATION			

PART NUMBER LIST	

TITLE:		SIZE CODE IDENT	DWG NO.	REV
REFERENCE DRAWING		B	VA101-15	A
VAX101-15		SC ALE: 1 = 1	WEIGHT: 67.5lbs	SHEET 1 OF 1

RENKUS-HEINZ, inc.

REFERENCE DRAWING
VAX101-15

SHEET 1 OF 1