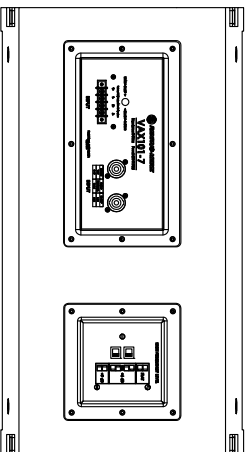
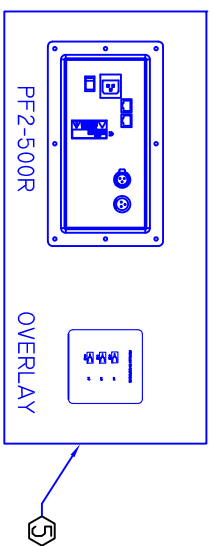
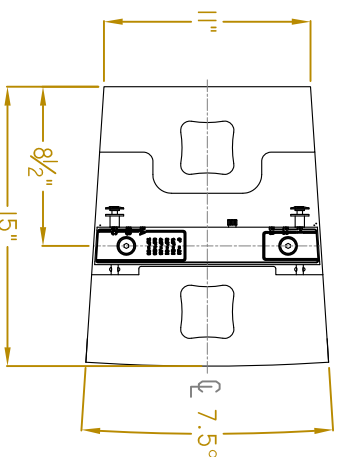


SCALE 2:1

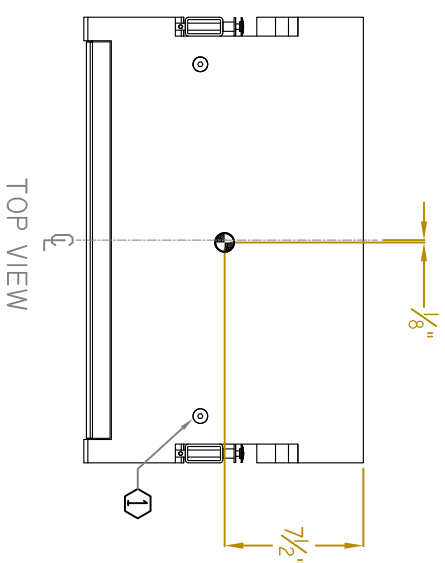
OPTIONAL INTERNAL AMPLIFIER



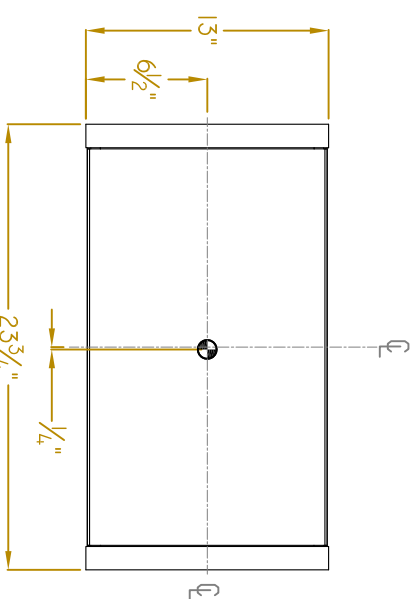
REAR VIEW



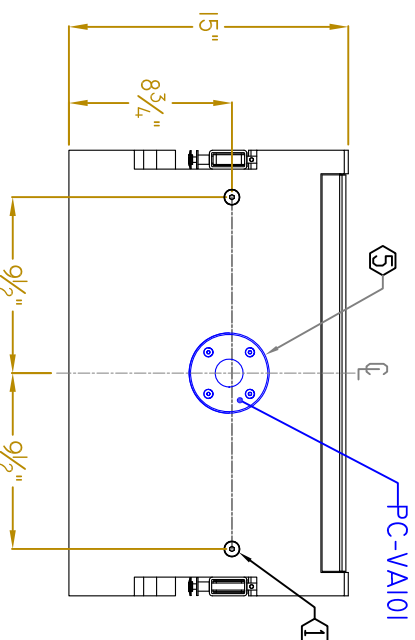
SIDE VIEW



TOP VIEW

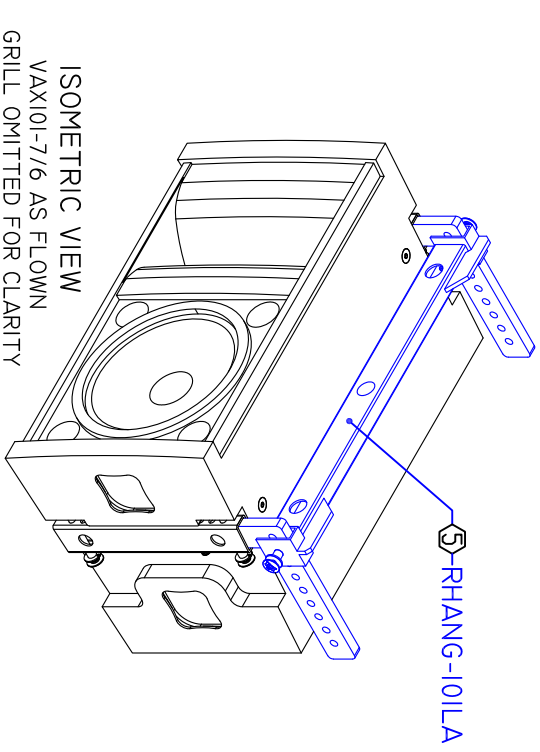


FRONT VIEW

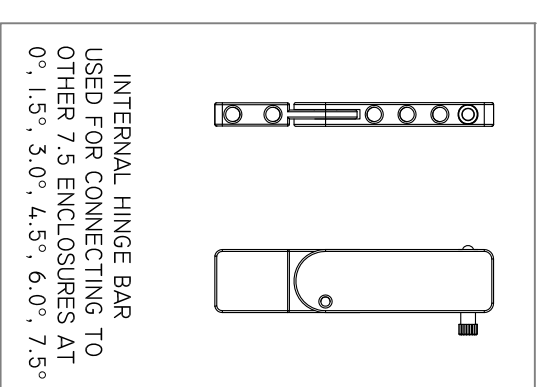


BOTTOM VIEW

PC-VA101



ISOMETRIC VIEW
VAX101-7/6 AS FLOWN
GRILL OMITTED FOR CLARITY



SCALE 2:1

NOTES:

- 1) SUSPENSION POINTS: M10 THREADED SUSPENSION POINTS 2X TOP, 2X BOTTOM
- 2) WEIGHT: 68 LBS/30.84 Kg.
- 3) CENTER OF GRAVITY
- 4) ATTACHMENT POINTS ARE APPROXIMATE. DESIGN ATTACHMENT PLATES WITH SLOTS FOR ADJUSTABILITY.
- 5) OPTIONAL.

METRIC DIMS AVAILABLE BY LAYER CHOICE

WARNING! HANGING LOUDSPEAKERS IS A SERIOUS UNDERTAKING THAT SHOULD BE DONE ONLY BY QUALIFIED AND EXPERIENCED PERSONNEL. CHECK WITH AN ARCHITECT OR STRUCTURAL ENGINEER TO VERIFY ANY BUILDING ATTACHMENT POINTS. RENKUS-HEINZ IS NOT RESPONSIBLE FOR ANY NON-RENKUS-HEINZ PRODUCTS OR FOR ANY MISUSE OF RENKUS-HEINZ PRODUCTS.

THE MATERIAL CONTAINED HEREIN IS PROPRIETARY TO RENKUS-HEINZ AND SHALL NOT BE REPRODUCED OR USED FOR ANY OTHER PURPOSE WITHOUT THE WRITTEN APPROVAL OF RENKUS-HEINZ.

REV	DESCRIPTION	DATE	BY

UNLESS OTHERWISE SPECIFIED DIMENSIONS ARE IN INCHES DECIMALS	INTL	DATE
XXX +/- .01	DRAWN	1/18/2013
XXX +/- .005	CHECK	
	DESIGN	
	ENG	
VAX101-7/6	VAX101-7/6-S2R	
VAX101-7/69	VAX101-7/69-S2R	
VAX101-7/9	VAX101-7/9-S2R	
VAX101-7/912	VAX101-7/912-S2R	
VAX101-7/12	VAX101-7/12-S2R	
USED DN	USED DN	
APPLICATION	DD NOT SCALE DRAWING	

TITLE:	SIZE CODE IDENT	DWG NO.	REV
REFERENCE DRAWING		VAX101-7	A
VA101-7			

SCALE:	WEIGHT:	SHEET
1 = 1	68 LBS/30.84 kg	1 OF 1

4

3

2

1