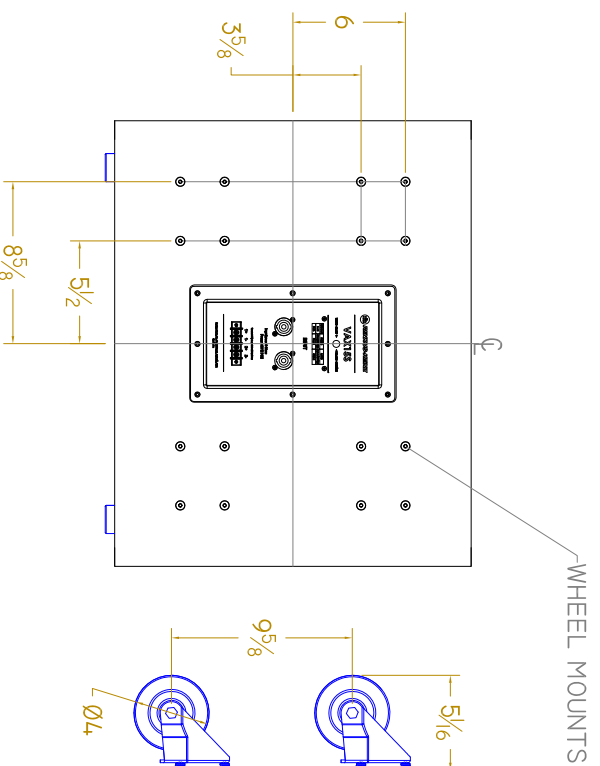
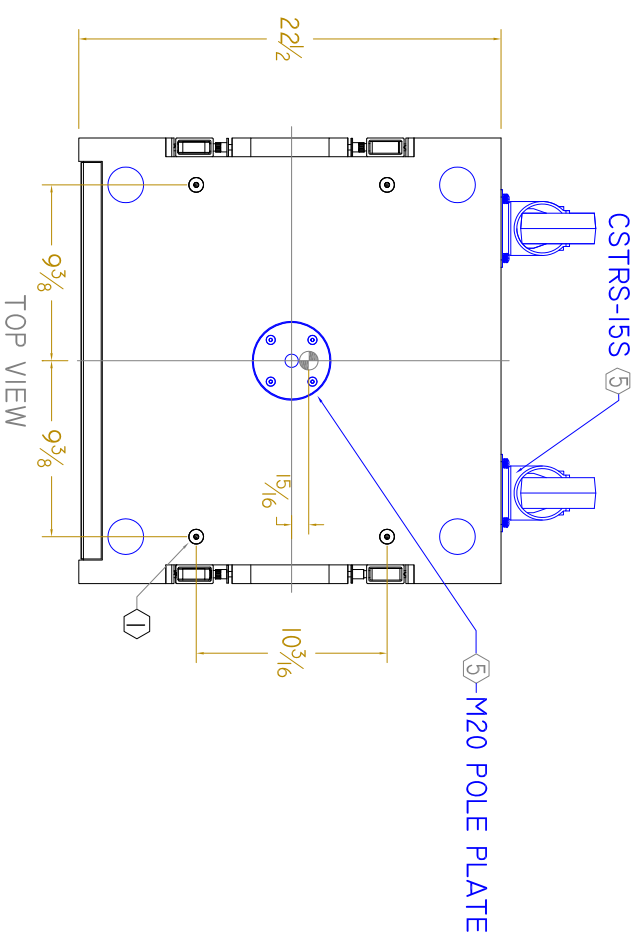
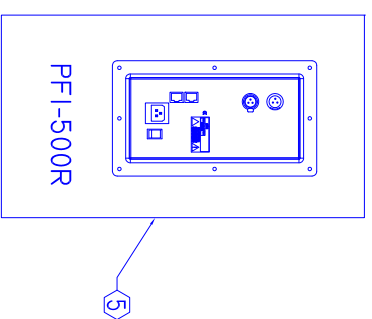
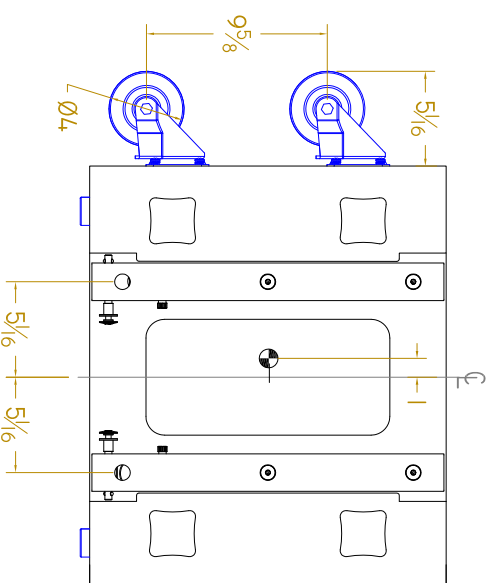


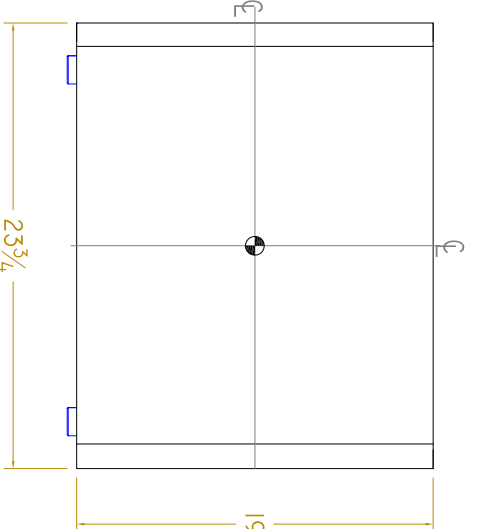
OPTIONAL INTERNAL AMPLIFIER



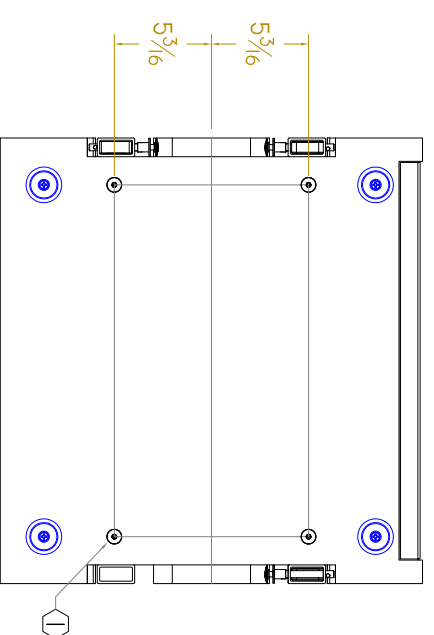
REAR VIEW



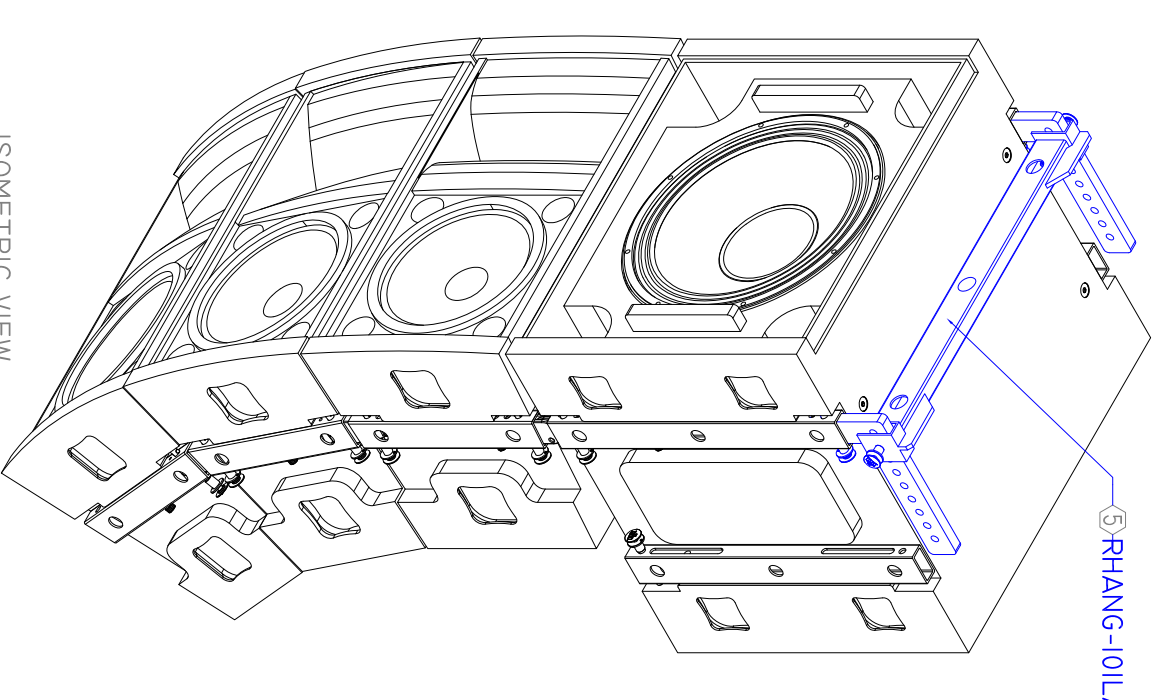
SIDE VIEW



FRONT VIEW



BOTTOM VIEW



ISOMETRIC VIEW

VAXI5S, VAXI01-7/6, VAXI01-15/69
AND VAXI01-22/9 AS FLOWN
GRILLS OMITTED FOR CLARITY

NOTES:

- 1) SUSPENSION POINTS: M10 THREADED SUSPENSION POINTS 4X TOP, 4X BOTTOM
- 2) WEIGHT: 114 LBS.
- 3) CENTER OF GRAVITY
- 4) ATTACHMENT POINTS ARE APPROXIMATE. DESIGN ATTACHMENT PLATES WITH SLOTS FOR ADJUSTABILITY.
- 5) OPTIONAL.

METRIC DIMS AVAILABLE BY LAYER CHOICE

WARNING! HANGING LOUDSPEAKERS IS A SERIOUS UNDERTAKING THAT SHOULD BE DONE ONLY BY QUALIFIED AND EXPERIENCED PERSONNEL. CHECK WITH AN ARCHITECT OR STRUCTURAL ENGINEER TO VERIFY ANY BUILDING ATTACHMENT POINTS. RENKUS-HEINZ IS NOT RESPONSIBLE FOR ANY NON-RENKUS-HEINZ PRODUCTS OR FOR ANY MISUSE OF RENKUS-HEINZ PRODUCTS.

REV	DESCRIPTION	DATE	BY

UNLESS OTHERWISE SPECIFIED DIMENSIONS ARE IN INCHES TOLERANCES ARE: XX +/- .01 .XXX +/- .005	INTL DATE	1/29/2013
DRAWN	D.P.	
CHECK		
DESIGN		
ENG		
APPROV		
REF DWG:	VASIS-A-PDF	
DO NOT SCALE DRAWING		

TITLE:	REFERENCE DRAWING
	VAI5S

SIZE	CODE IDENT	DWG NO.	REV
B		VASIS	A
SCALE: 1 = 1	WEIGHT: 114 LBS./51.7 KG	SHEET 1 OF 1	