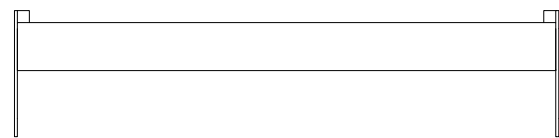
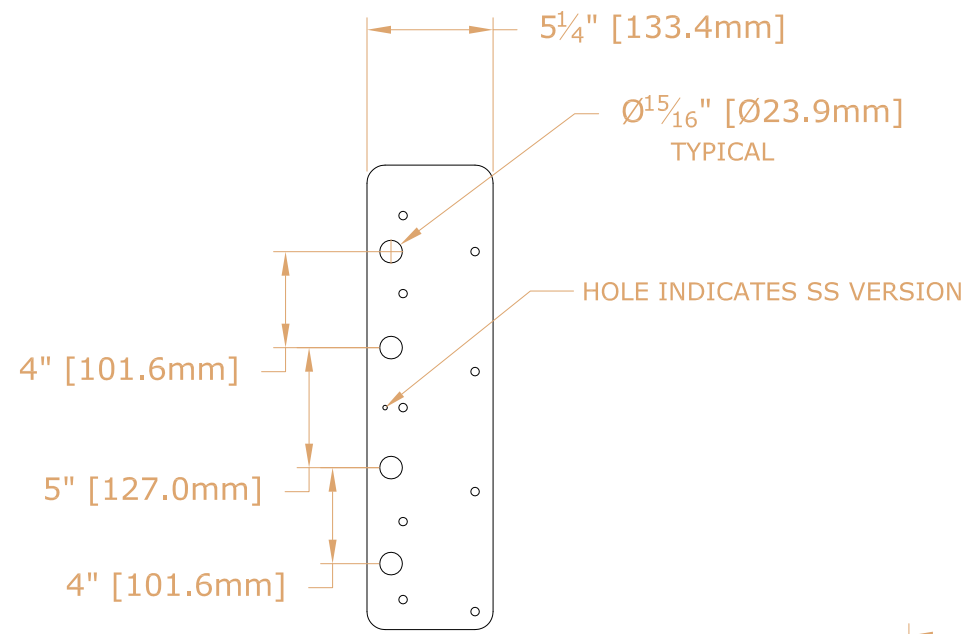


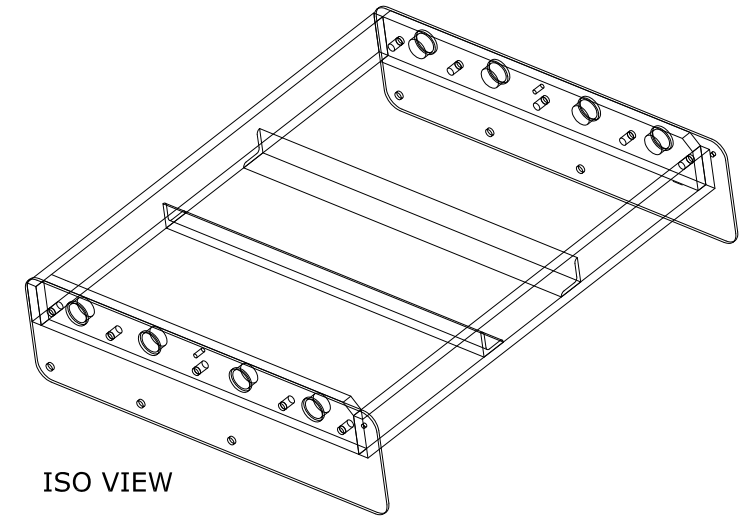
TOP VIEW



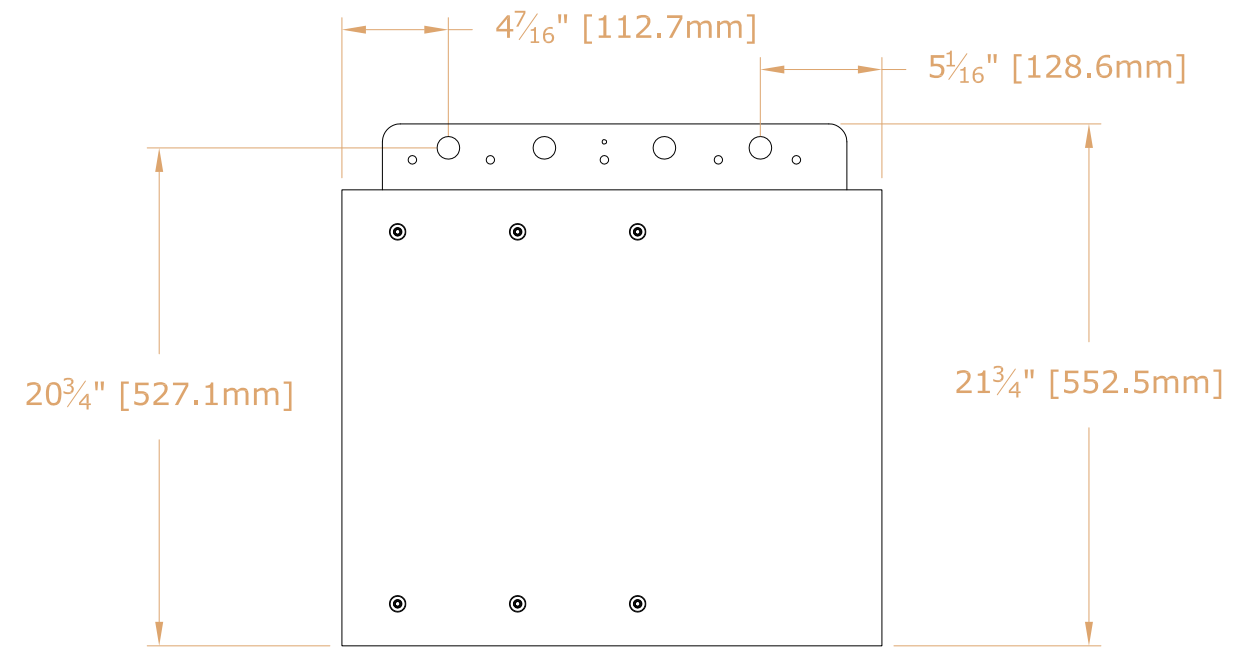
FRONT VIEW



SIDE VIEW



ISO VIEW



WITH VA15SI SUBWOOFER

RIGGING NOTES -

1. RHANG FRAME REQUIRED WITH ANY ARRAY OVER 5 ENCLOSURES
2. RHANG FRAME REQUIRED WITH ANY ARRAY THAT INCLUDES VA15S SUBWOOFER
3. STANDARD RHANG FRAME RATED TO SUSPEND ARRAYS UP TO 2000LB
4. SEE VARIAi RIGGING MANUAL FOR FURTHER INSTRUCTIONS

NOTES:

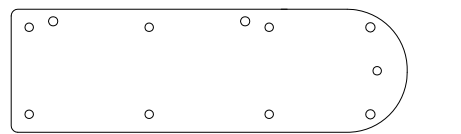
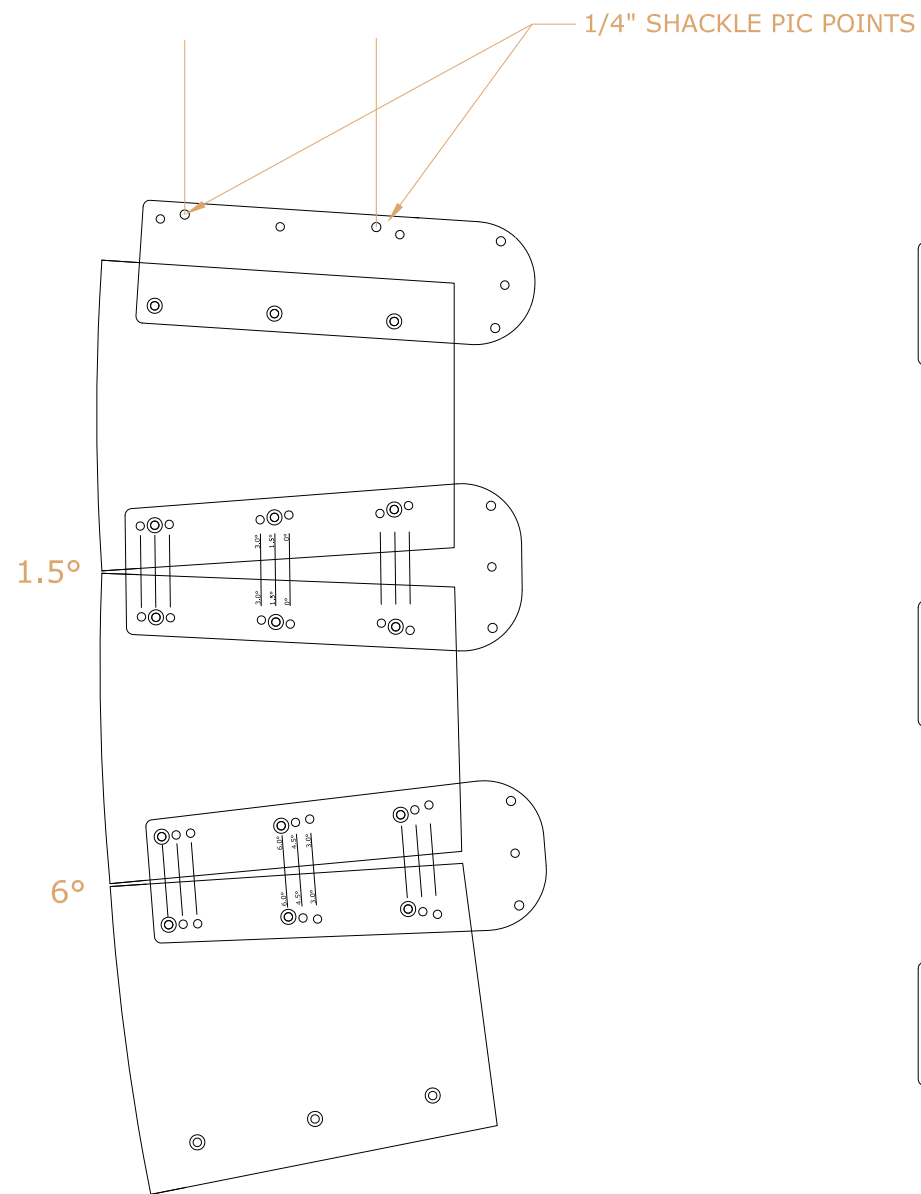
1. RHANG IS A VARIAi OPTION
2. STANDARD VERSION = ZINC PLATED 1008 STEEL
3. STAINLESS STEEL VERSION = 304 STAINLESS STEEL
4. STANDARD FINISH IS BLACK OR WHITE POWDER COATING (CUSTOM COLOR AVAILABLE AS AN UPGRADE OPTION)

ECO	REV	DESCRIPTION	DATE	BY
		FOR INFORMATION ONLY		

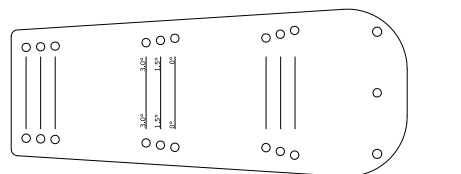
UNLESS OTHERWISE SPECIFIED DIMENSIONS ARE IN INCHES TOLERANCES ARE:		INTL	DATE	
DRAWN	PWP		09-11-14	
CHECK				
DESIGN	PWP		09-11-14	
ENG				
DECIMALS .XX± .01 .XXX±.005		ANGLES ±0° 30"		TITLE:
APPROV				VARIAi RHANG FRAME
APPROV				
REF FILE:				SIZE B
NEXT ASSY.	USED ON	DO NOT SCALE DRAWING	SCALE 1:8	CODE IDENT
REVIEW		DEBURR AND REMOVE SHARP EDGES	WEIGHT	PART # EEM-RHANG-AF-VAI
			SHEET 1 of 1	REV A

THE MATERIAL CONTAINED HEREIN IS PROPRIETARY TO RENKUS-HEINZ AND SHALL NOT BE REPRODUCED DISCLOSED OR USED FOR ANY OTHER PURPOSE WITHOUT THE WRITTEN APPROVAL OF RENKUS-HEINZ.



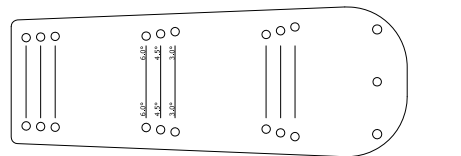
MPS CONNECTOR

0°, 1.5°, 3°



M2 CONNECTOR

3°, 4.5°, 6°



M1 CONNECTOR

FOR CONNECTION OF REAR PIC BAR  
1/4" SHACKLE REAR PIC POINTS



MPS ARRAY

AN ARRAY USING ALL THREE  
[INTERNAL DETAIL SHOWN FOR CLARITY,  
CONNECTORS ARE NOT VISIBLE AS SHOWN RIGHT]

CONNECTORS:  
MPS CONNECTOR - FOR ALL MODELS,  
PROVIDES A 'TIGHT PACK' ARRANGEMENT  
FOR MPS (MODULAR POINT SOURCE) ARRAYS

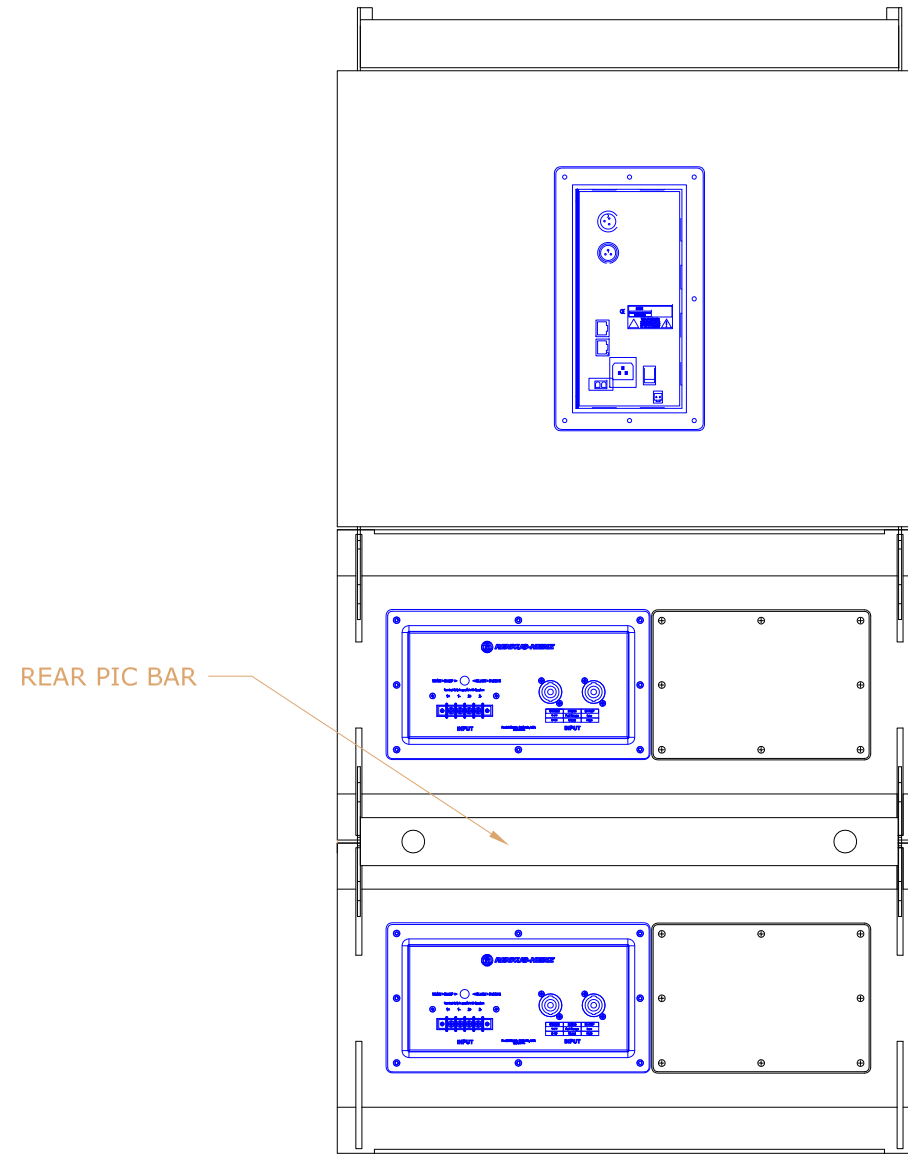
M2(0-3) CONNECTOR - FOR 7 ENCLOSURES  
ONLY, PROVIDES SELECTION OF 0°, 1.5°, 3°

M1(3-6) CONNECTOR - FOR 7 ENCLOSURES  
ONLY, PROVIDES SELECTION OF 3°, 4.5°, 6°

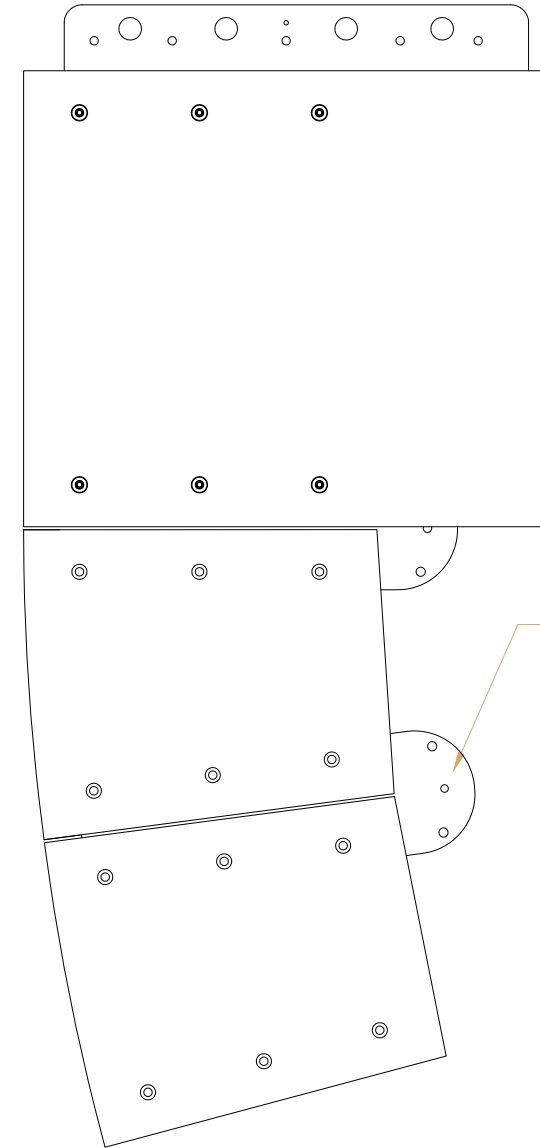
- NOTES:
1. ALL CONNECTORS 1/8" STEEL (STAINLESS STEEL FOR WR VERSIONS)
  2. ALL CONNECTORS HAVE THE SAME COLOR OPTIONS AS THE ENCLOSURES
  3. SEE THE VARIAI RIGGING MANUAL FOR FURTHER INSTRUCTIONS

ECO	REV	DESCRIPTION	DATE	BY	
UNLESS OTHERWISE SPECIFIED DIMENSIONS ARE IN INCHES TOLERANCES ARE:		INTL	DATE	 TITLE: <b>VARIAI RIGGING CONNECTORS</b>	
DECIMALS	ANGLES	DRAWN	PWP		09-10-14
.XX# .01	±0° 30"	CHECK	PWP		09-10-14
.XXX±.005		DESIGN	PWP		09-10-14
		ENG			
		APPROV			
		APPROV			
REF FILE:				SIZE	
NEXT ASSY.	USED ON	DO NOT SCALE DRAWING	B	CODE IDENT	
REVIEW	DEBURR AND REMOVE SHARP EDGES	SCALE 1:8	WEIGHT	PART # REFERENCE	
				REV X	
				SHEET 1 of 1	

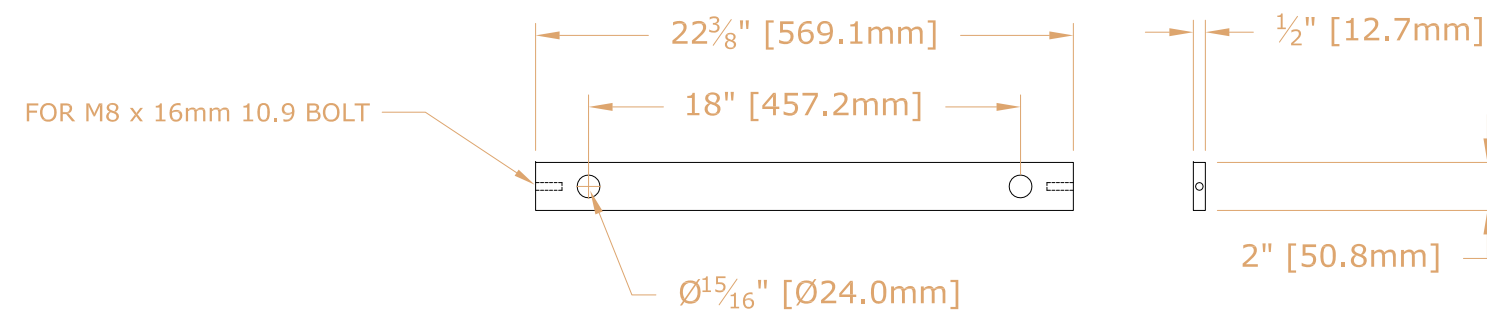
THE MATERIAL CONTAINED HEREIN IS PROPRIETARY  
TO RENKUS-HEINZ AND SHALL NOT BE REPRODUCED  
DISCLOSED OR USED FOR ANY OTHER PURPOSE  
WITHOUT THE WRITTEN APPROVAL OF RENKUS-HEINZ.



ARRAY REAR VIEW



ARRAY SIDE VIEW



PART VIEWS

RIGGING NOTES -

1. REAR PIC BAR IS USED TO ALLOW SHACKLE CONNECTIONS LARGER THAN 1/4"
2. SEE VARIAi RIGGING MANUAL FOR FURTHER INSTRUCTIONS

NOTES:

1. REAR PIC BAR IS A VARIAi OPTION
2. STANDARD VERSION = ZINC PLATED 1008 STEEL
3. STAINLESS STEEL VERSION = 304 STAINLESS STEEL
4. STANDARD FINISH IS BLACK OR WHITE POWDER COATING (CUSTOM COLOR AVAILABLE AS AN UPGRADE OPTION)

THE MATERIAL CONTAINED HEREIN IS PROPRIETARY TO RENKUS-HEINZ AND SHALL NOT BE REPRODUCED DISCLOSED OR USED FOR ANY OTHER PURPOSE WITHOUT THE WRITTEN APPROVAL OF RENKUS-HEINZ.

ECO	REV	DESCRIPTION	DATE	BY
		FOR INFORMATION ONLY		

UNLESS OTHERWISE SPECIFIED DIMENSIONS ARE IN INCHES TOLERANCES ARE: DECIMALS .XX± .01 .XXX±.005	DRAWN PWP CHECK ENG DESIGN PWP	INTL	DATE				
		PWP	09-11-14				
APPROV		TITLE: <b>VARIAi REAR PIC BAR</b>					
APPROV							
NEXT ASSY.	USED ON	DO NOT SCALE DRAWING	SCALE 1:8	REVIEW	DEBURR AND REMOVE SHARP EDGES	WEIGHT	SHEET 1 of 1

RENKUS-HEINZ, inc.  
TITLE:  
**VARIAi REAR PIC BAR**  
SIZE B CODE IDENT PART # REV  
EEM-RHANG-RP-VAI A