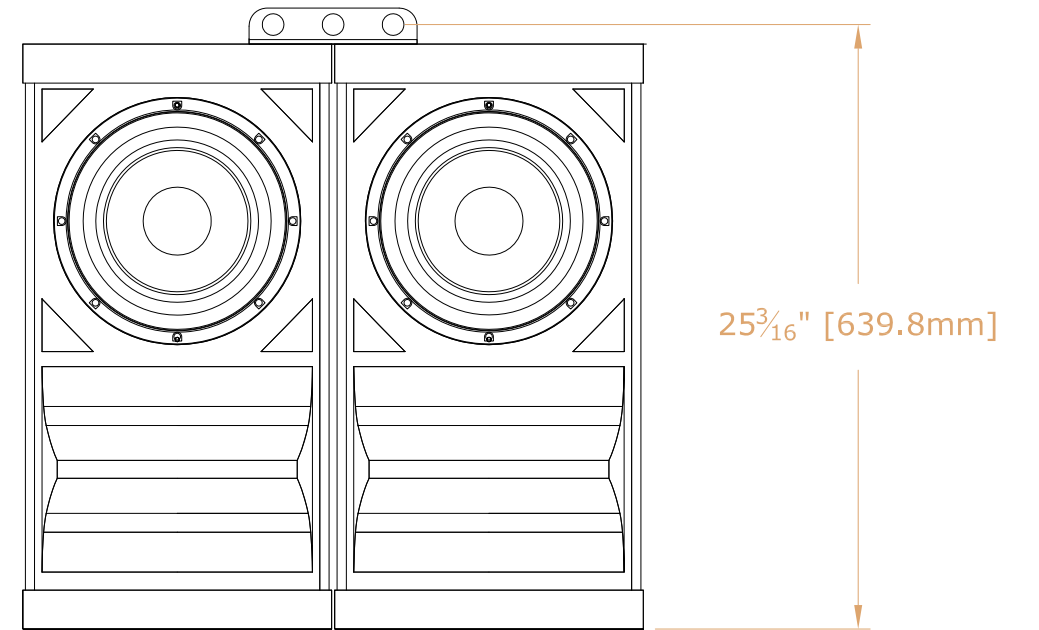
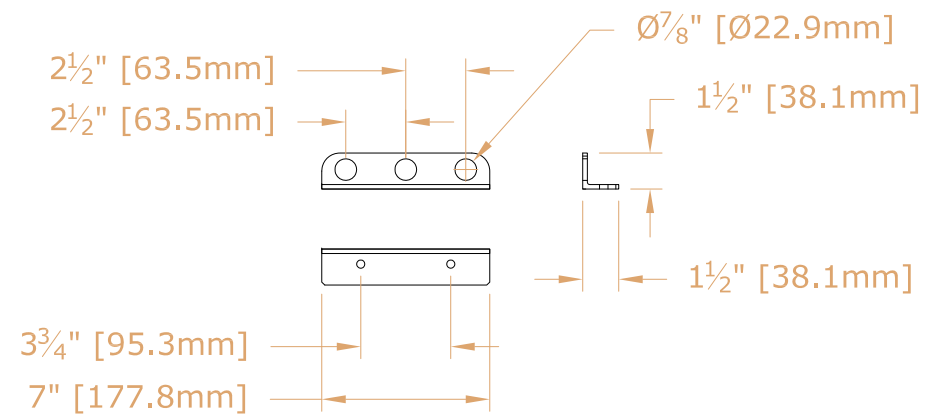


HORIZONTAL ARRAY TOP VIEW
[4 ELEMENT]



HORIZONTAL ARRAY FRONT VIEW
[2 ELEMENT]



PART VIEWS

- RIGGING NOTES -**
- HOR BAR CONNECTS TO ENCLOSURES USING M8x45mm BOLTS PROVIDED WITH BAR
 - USE MPS CONNECTORS TO CONNECT ENCLOSURES ON BOTH TOP AND BOTTOM - INSTALL HOR BAR IN ADDITION TO THESE CONNECTORS - DO NOT USE HOR BAR WITHOUT MPS CONNECTORS INSTALLED
 - SEE VARIAI RIGGING MANUAL FOR FURTHER INSTRUCTIONS

- NOTES:**
- HOR BAR IS A VARIAI OPTION
 - STANDARD VERSION = ZINC PLATED 1008 STEEL
 - STAINLESS STEEL VERSION = 304 STAINLESS STEEL
 - STANDARD FINISH IS BLACK OR WHITE POWDER COATING (CUSTOM COLOR AVAILABLE AS AN UPGRADE OPTION)

THE MATERIAL CONTAINED HEREIN IS PROPRIETARY TO RENKUS-HEINZ AND SHALL NOT BE REPRODUCED DISCLOSED OR USED FOR ANY OTHER PURPOSE WITHOUT THE WRITTEN APPROVAL OF RENKUS-HEINZ.

ECO	REV	DESCRIPTION	DATE	BY
		FOR INFORMATION ONLY		
UNLESS OTHERWISE SPECIFIED DIMENSIONS ARE IN INCHES TOLERANCES ARE:		INTL	DATE	RENKUS-HEINZ, inc. TITLE: VARIAI HOR BAR
DRAWN	PWP	09-11-14		
CHECK				
DESIGN	PWP	09-11-14		
		ENG		
		APPROV		
		APPROV		
		REF FILE:		
NEXT ASSY.	USED ON	DO NOT SCALE DRAWING	SIZE B	CODE IDENT
		REVIEW	SCALE 1:8	PART #
		DEBURR AND REMOVE SHARP EDGES	WEIGHT	EEM-RHANG-HB-VAI
				REV A
				SHEET 1 of 1